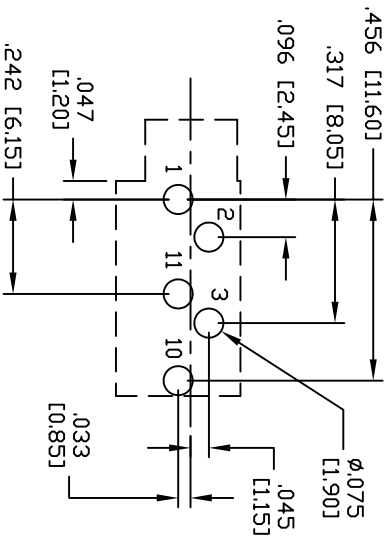
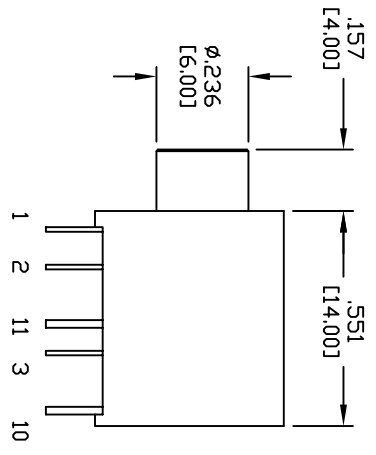
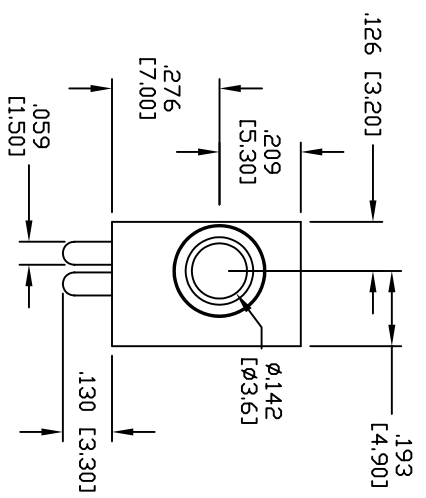


Rev	AWO #	Description	Date	Appr
-	4651	RELEASED	04/05/05	

APPROVED: _____ TITLE: _____
 DATE: _____

CONTACT FORM	FORM 3	FORM 3A	FORM 4A	FORM 4B	FORM 5
SCHEMATIC					



RECOMMENDED PCB LAYOUT

SPECIFICATIONS:

- Material: Insulator: ABS, rated UL 94V-0
- Insulator color: Lime Green
- Contact: Brass
- Plating: Contact: Gold Flash over Nickel underplate
- Terminal: Gold Flash over Nickel underplate
- Electrical: Operating voltage: 12 VDC max.
- Current rating: 1 Amp max.
- Contact resistance: 30 mohms max. initial
- Insulation withstanding voltage: 100 Mohms min.
- Dielectric withstanding voltage: 500 VAC for 1 minute
- Temperature Rating: Operating temperature: -65°C to +125°C
- Environmental: Lead free, RoHS compliant.
- Recommended soldering temp: 230 for 5 sec.



ADAM TECH

909 Railway Avenue, Union, NJ 07083
 Phone: 908-687-5000 Fax: 908-687-5710

TITLE: STEREO JACK, 3.5MM, RIGHT ANGLE
 COLOR LIME GREEN

UNLESS OTHERWISE SPECIFIED ALL DIMENSIONS ARE INCHES [MM]	
TOLERANCES: EXCEPT AS NOTED	HOLES
.X ± .10	ØX ± .10
.XX ± .020	ØXXX ± .015
.XXX ± .015	ØXXX ± .010
APPROVALS	DATE
DRAWN	SS
CHECKED	7/29/05
APPROVED	

SIZE	PART NO.	REV.
X	AS1-5-X1M	
REF:	SCALE: NTS	SHEET 1 OF 1