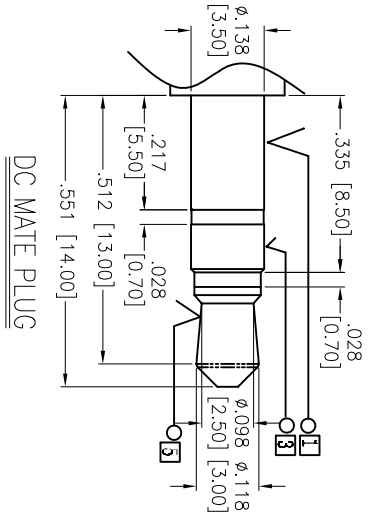
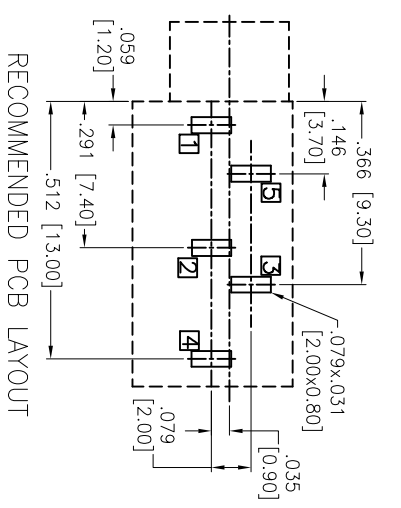
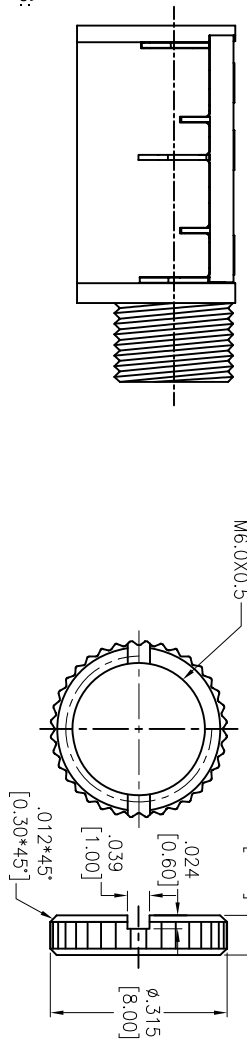
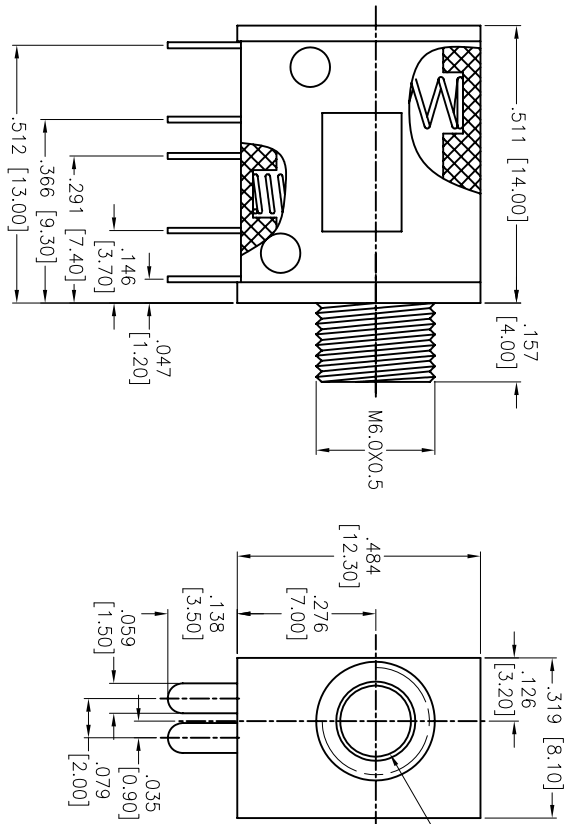


Rev	AWO #	Description	Date	Appr
-		RELEASED	8/22/13	

APPROVED: _____
 DATE: _____ TITLE: _____



CONTRACT FORM	ASJ-5-5-M-HDW	ASJ-5-5-4B-M-HDW	ASJ-5-5-3A-M-HDW	ASJ-5-3-M-HDW	ASJ-5-2-M-HDW	ASJ-5-4-M-HDW
SCHEMATIC						

ADAM TECH

909 Railway Avenue, Union, NJ 07083
 Phone: 908-687-5000 Fax: 908-687-5710

STEREO JACK, RIGHT ANGLE, PCB MOUNT

SPECIFICATIONS:
 Material: Insulator color: Black
 Insulator: PBT, rated UL 94V-0
 Bushing: Copper Alloy, Nickel plated
 Earth spring: Brass, Tin plated
 Tip spring: Phosphor Bronze, Tin plated
 Ring spring: Phosphor Bronze, Silver plated
 Spring: Spring Wire, Nickel plated
 Contact: Brass
 Nut: Copper Alloy, Nickel plated
 Plating: Tin plating over Copper underplate
 Electrical: Operating voltage: 30 VDC max
 Current rating: 0.5 Amps max
 Contact resistance: 30 mohms max
 Insulation resistance: 100 Mohms min @ 500 VDC
 Dielectric withstanding voltage: 500 VAC for 1 minute
 Temperature Rating: Operating temperature: -20°C to +70°C
 Environmental: Lead free, RoHS compliant.



UNLESS OTHERWISE SPECIFIED ALL DIMENSIONS ARE INCHES [MM] TOLERANCES: EXCEPT AS NOTED			
.X	± .10	ØX	± .10
.XX	± .020	ØXX	± .015
.XXX	± .015	ØXXX	± .010
APPROVALS			
DRAWN	AY	DATE	8/22/13
CHECKED	LW	DATE	8/22/13
APPROVED		DATE	

SIZE	PART NO.	REV.
X	ASJ-5-XX-M-HDW	-
REF:	S0002C	
SCALE:	NTS	
SHEET	1 OF 1	