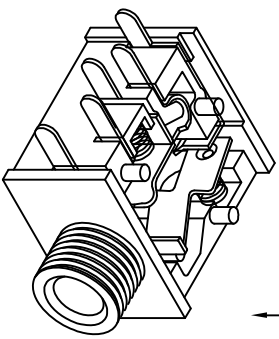
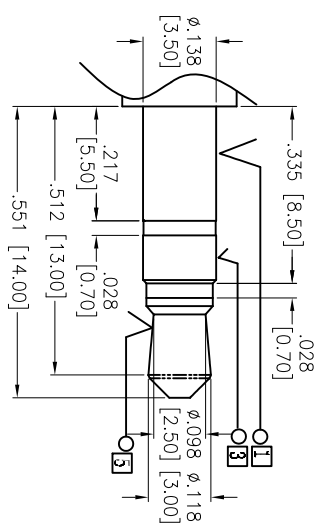
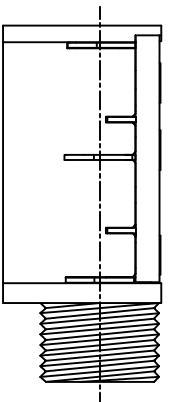
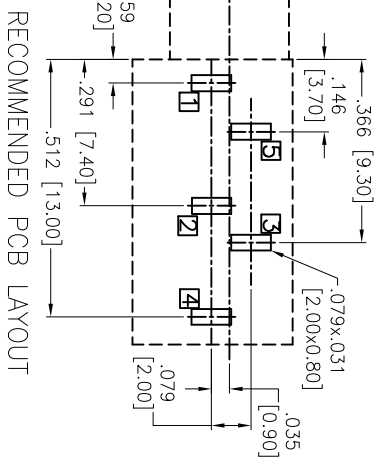
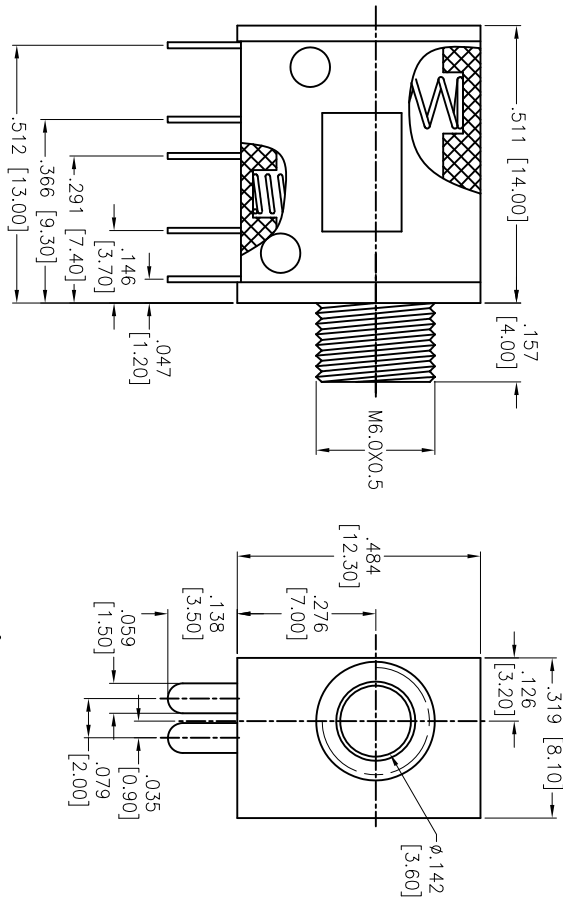


Rev	AWO #	Description	Date	Appr
-		RELEASED	8/22/13	

APPROVED: _____
 DATE: _____ TITLE: _____



CONTRACT FORM	ASJ-5-5-M-HT	ASJ-5-4B-M-HT	ASJ-5-3A-M-HT	ASJ-5-3-M-HT	ASJ-5-2-M-HT	ASJ-5-4-M-HT
SCHEMATIC						

SPECIFICATIONS:

- Material:**
 Insulator: Hi-Temp Thermoplastic, rated UL 94V-0
 Insulator color: Black
 Cover: Hi-Temp Thermoplastic, rated UL 94V-0
 Color: Clear
 Bushing: Copper Alloy, Nickel plated
 Earth spring: Brass, Tin plated
 Tip spring: Phosphor Bronze, Nickel plated
 Ring spring: Phosphor Bronze, Silver plated
 Contact: Brass
 Nut: Copper Alloy, Nickel plated
- Plating:**
 Tin plating over Copper underplate
- Electrical:**
 Operating voltage: 30 VDC max
 Current rating: 0.5 Amps max
 Contact resistance: 30 mohms max @ 500 VDC
 Insulation resistance: 100 Mohms min @ 500 VDC
 Dielectric withstanding voltage: 500 VAC for 1 minute
- Temperature Rating:**
 Operating temperature: -20°C to +70°C
- Environmental:**
 Lead free, RoHS compliant.

ADAM TECH

909 Railway Avenue, Union, NJ 07083
 Phone: 908-687-5000 Fax: 908-687-5710

TITLE: STEREO JACK, RIGHT ANGLE, PCB MOUNT
 HI-TEMP

UNLESS OTHERWISE SPECIFIED ALL DIMENSIONS ARE INCHES [MM] TOLERANCES: EXCEPT AS NOTED	INCHES	Holes	DATE	SIZE	PART NO.	SCALE	SHEET	REV.
.X ± .10	ØXX ± .10	XXX ± .015	8/22/13	X	ASJ-5-XX-M-HT	NTS	1 OF 1	
CHECKED	LW	8/22/13	APPROVED	REF:	S0002C			