

6

5

4

3

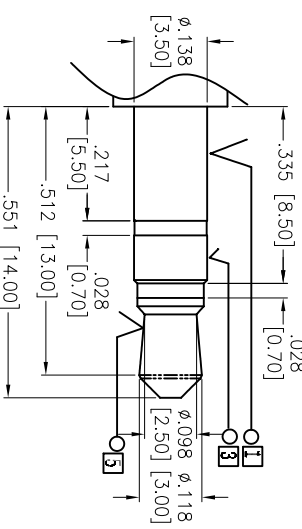
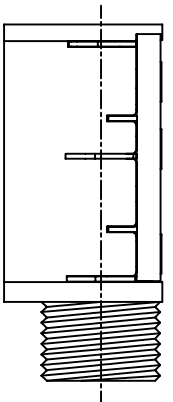
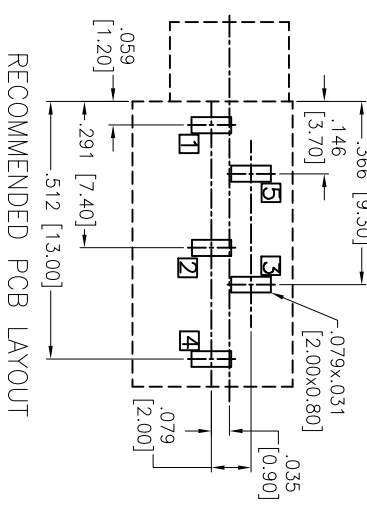
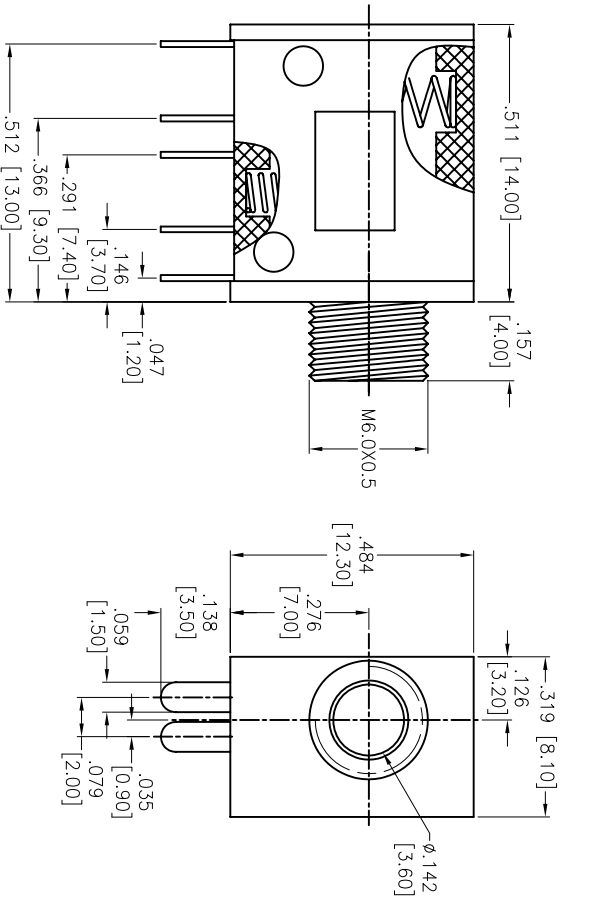
2

1

APPROVED: _____

DATE: _____ TITLE: _____

Rev	AWO #	Description	Date	Appr
-		Preliminary	4/7/00	
A		Added Number "2" Schematic	10/8/01	
B		REDRAWN	2/10/14	AV/LW



SPECIFICATIONS:

- Material: Insulator: PBT, rated UL 94V-0
- Insulator color: Black
- Bushing: Copper Alloy, Nickel plated
- Earth spring: Brass, Tin plated
- Tip spring: Phosphor Bronze, Tin plated
- Ring spring: Phosphor Bronze, Silver plated
- Spring: Spring Wire, Nickel plated
- Contact: Brass

- Plating: Tin plating over Copper underplate
- Electrical: Operating voltage: 30 VDC max
Current rating: 0.5 Amps max
Contact resistance: 30 mohms max
Insulation resistance: 100 Mohms min @ 500 VDC
Dielectric withstanding voltage: 500 VAC for 1 minute
- Temperature Rating: Operating temperature: -20°C to +70°C
- Environmental: Lead free, RoHS compliant.

CONTRACT FORM	ASU-5-5-M	ASU-5-4B-M	ASU-5-3A-M	ASU-5-3-M	ASU-5-2-M	ASU-5-4-M
SCHEMATIC						

UNLESS OTHERWISE SPECIFIED
ALL DIMENSIONS ARE IN INCHES [MM]
TOLERANCES: EXCEPT AS NOTED
INCHES ± .10
.XX ± .020
.XXX ± .015

HOLE SIZES
ØXX ± .10
ØXXX ± .015
ØXXXX ± .010

ADAM TECH
909 Railway Avenue, Union, NJ 07083
Phone: 908-687-5000 Fax: 908-687-5710

TITLE: STEREO JACK, RIGHT ANGLE, PCB MOUNT

DRAWN	WGM	DATE	4/7/00
CHECKED			
APPROVED	ELD	4/7/00	
SIZE	PART NO.	SCALE	SHEET 1 OF 1
X	ASU-5-XX-M	NTS	B
REF:	S0002C		



6

5

4

3

2

1