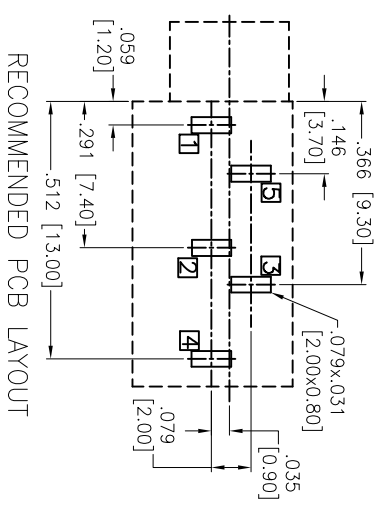
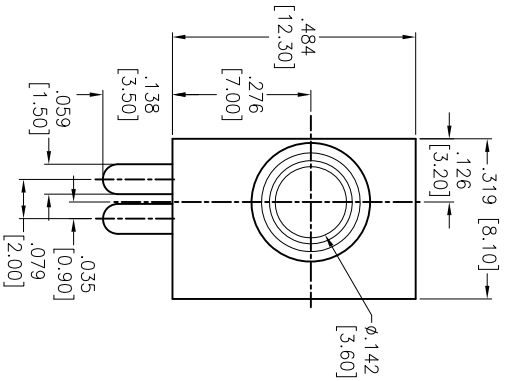
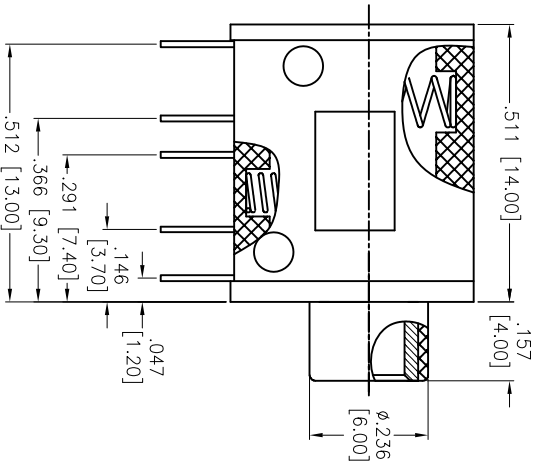
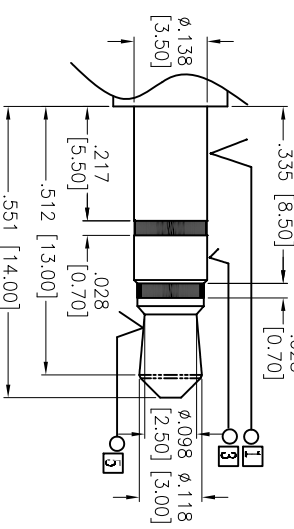


Rev	AWO #	Description	Date	Appr
-		RELEASED	5/21/14	

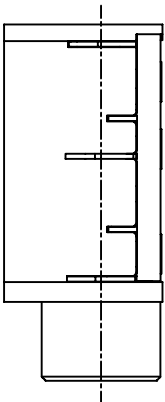
APPROVED: _____
 DATE: _____ TITLE: _____



RECOMMENDED PCB LAYOUT



DC MATE PLUG



CONTACT FORM	ASJ-5C-5	ASJ-5C-4B	ASJ-5C-3A	ASJ-5C-3
SCHEMATIC				

SPECIFICATIONS:

- Material: Insulator: PBT, rated UL 94V-0
- Insulator color: Black
- Bushing: Copper Alloy, Nickel plated
- Earth spring: Brass, Tin plated
- Tip spring: Phosphor Bronze, Tin plated
- Ring spring: Phosphor Bronze, Silver plated
- Spring: Spring Wire, Nickel plated
- Contact: Brass

- Plating: Tin plating over Copper underplate
- Electrical: Operating voltage: 30 VDC max
Current rating: 0.5 Amps max
Contact resistance: 30 mohms max
Insulation resistance: 100 Mohms min @ 500 VDC
Dielectric withstanding voltage: 500 VAC for 1 minute
- Temperature Rating: Operating temperature: -20°C to +70°C
- Environmental: Lead free, RoHS compliant.

ADAM TECH

909 Railway Avenue, Union, NJ 07083
 Phone: 908-687-5000 Fax: 908-687-5710

STEREO JACK, RIGHT ANGLE, PCB MOUNT

UNLESS OTHERWISE SPECIFIED ALL DIMENSIONS ARE INCHES [MM] TOLERANCES: EXCEPT AS NOTED		INCHES		HOLE SIZES	
.X	± .10	ØX	± .10		
.XX	± .020	ØXX	± .015		
.XXX	± .015	ØXXX	± .010		
APPROVALS		DATE		TITLE	
DRAWN	AY	5/21/14		STEREO JACK, RIGHT ANGLE, PCB MOUNT	
CHECKED	CH	5/21/14		SIZE	PART NO.
APPROVED				X	ASJ-5C-XX
REF: S0002C		SCALE:	NTS	SHEET	1 OF 1

