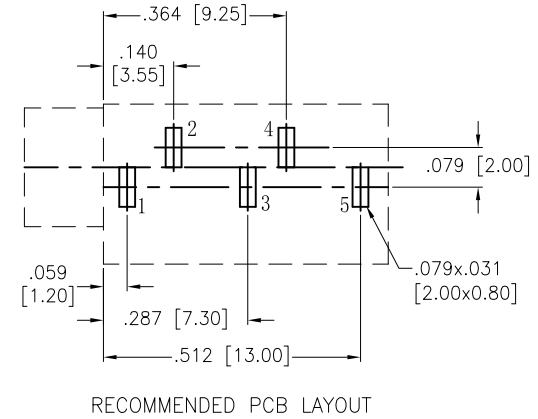
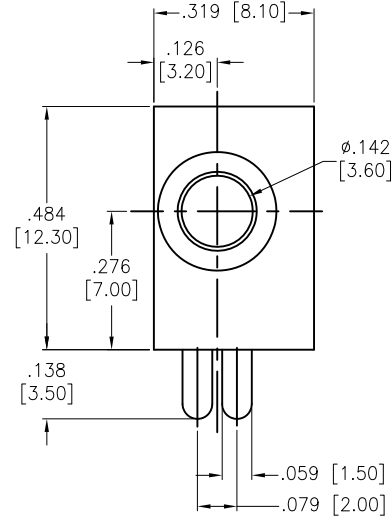
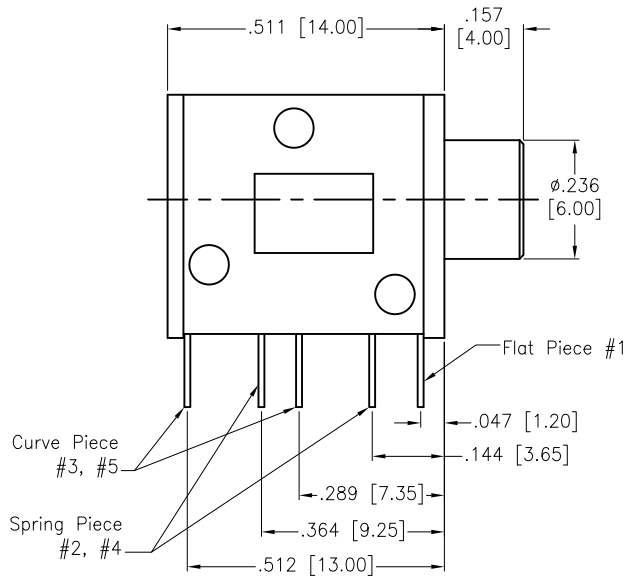


APPROVED: _____
 DATE: _____ TITLE: _____

Rev	AWO #	Description	Date	Appr
-		RELEASED	1/21/16	
A		ADDED SPEC.	3/8/16	AY/YC



SPECIFICATIONS:

Material:
 Insulator: PBT, rated UL 94V-0
 Insulator color: Black
 Axis Support: Brass, Nickel plated
 Curve Piece: Brass
 Spring Piece: Bronze
 Flat Piece: Brass
 Plating:
 80~100u" Tin plating over Copper underplate
 Electrical:
 Operating voltage: 30 V
 Current rating: 0.5 A
 Contact resistance: 30 mohms max
 Insulation resistance: 100 Mohms min @ 250 VDC
 Dielectric withstanding voltage: 500 VAC for 1 minute
 Temperature Rating:
 Operating temperature: -40°C to +80°C
 Environmental:
 Lead free, RoHS compliant.



CONTACT FORM	ASJ-5S-5	ASJ-5S-4B	ASJ-5S-3	ASJ-5S-3A
SCHEMATIC				

UNLESS OTHERWISE SPECIFIED ALL DIMENSIONS ARE INCHES [MM] TOLERANCES: EXCEPT AS NOTED INCHES HOLES .X ± .10 Ø.X ± .10 .XX ± .020 Ø.XX ± .015 .XXX ± .015 Ø.XXX ± .010		ADAM TECH 909 Rahway Avenue, Union, NJ 07083 Phone: 908-687-5000 Fax: 908-687-5710	
APPROVALS		TITLE	
DRAWN	HR	STEREO JACK, RIGHT ANGLE, PCB MOUNT	
CHECKED	MY	SIZE	PART NO.
APPROVED		X	ASJ-5S-XX
		REF:	S00102C
		SCALE:	NTS
		SHEET	1 OF 1

6

5

4

3

2

1

D

D

C

C

B

B

A

A

6

5

4

3

2

1