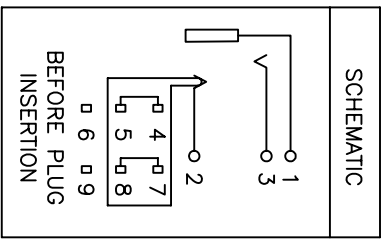
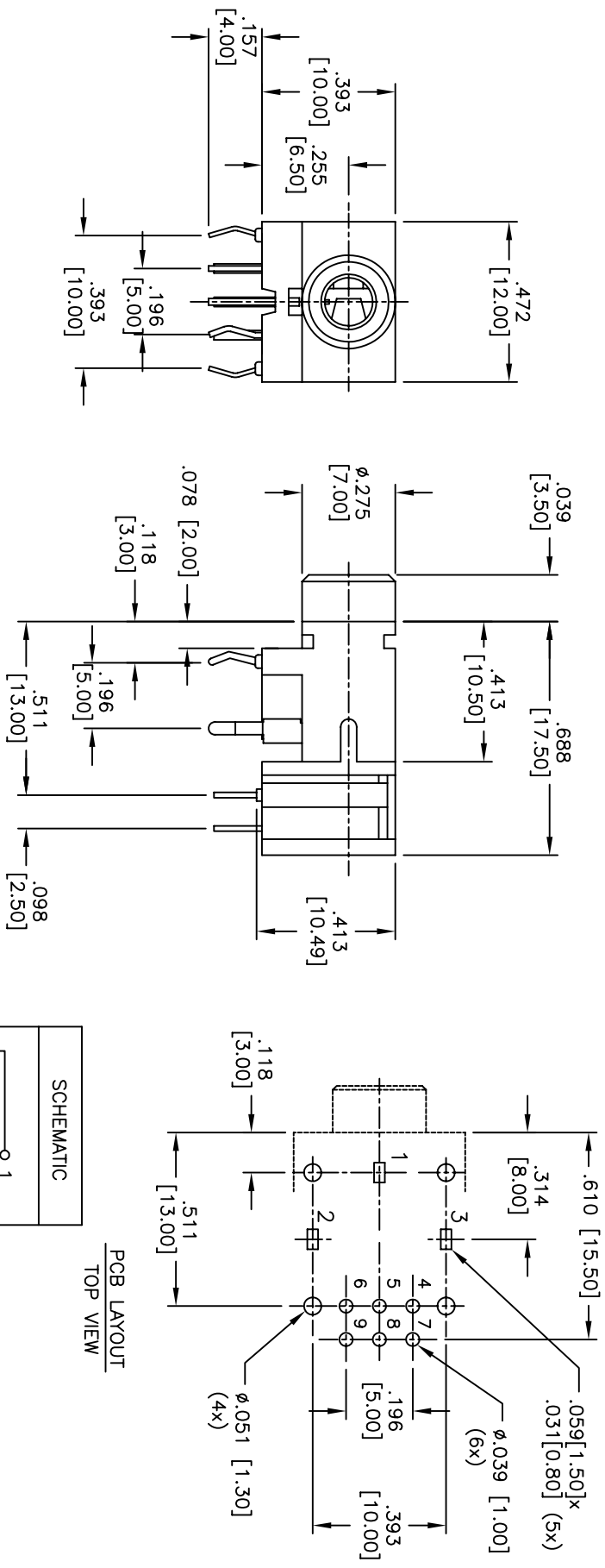


APPROVED: _____
 DATE: _____ TITLE: _____

Rev	AWO #	Description	Date	Appr
-	7410	RELEASED	01/17/07	
A	7410	ADDED DIMENSION	2/23/07	



SPECIFICATIONS:
 Material: Insulator: PBT, Glass reinforced, rated UL 94V-0
 Insulator color: Black
 Contacts: Copper Alloy
 Plating: Tin over Copper underplate

Electrical:
 Operating voltage: 12 VDC max.
 Current rating: 1 Amp max.
 Contact resistance: 30 mohms max. initial
 Insulation resistance: 100 Mohms min.
 Dielectric withstanding voltage: 500 VAC for 1 minute
 Temperature Rating: Operating temperature: -65°C to +125°C

Environmental:
 Lead free, RoHS Compliant
 Recommended soldering temp: 235°C for 5 seconds



UNLESS OTHERWISE SPECIFIED
 ALL DIMENSIONS ARE INCHES [MM]
 TOLERANCES: EXCEPT AS NOTED
 INCHES Holes

.X	± .10	ØX	± .10
.XX	± .020	ØXXX	± .015
.XXX	± .015	ØXXXX	± .010

APPROVALS

DRAWN	BW	DATE	01/17/07
CHECKED			
APPROVED			

ADAM TECH
 909 Rahway Avenue, Union, NJ 07083
 Phone: 908-687-5000 Fax: 908-687-5710

TITLE: STEREO JACK WITH SWITCH

SIZE	PART NO.	REV.
X	ASL-6-03-SW	A
REF:	SCALE: NTS	SHEET 1 OF 1