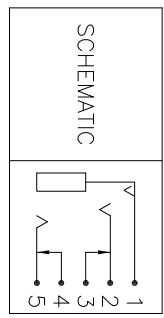
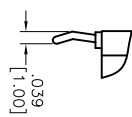
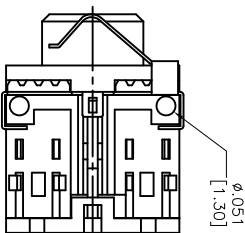
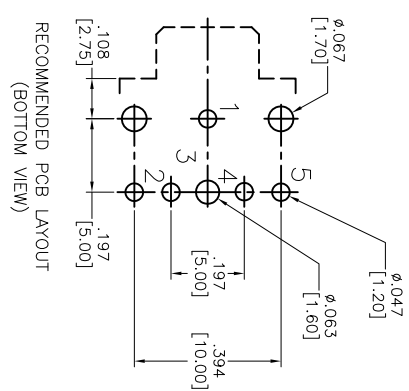
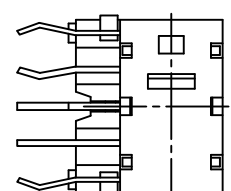
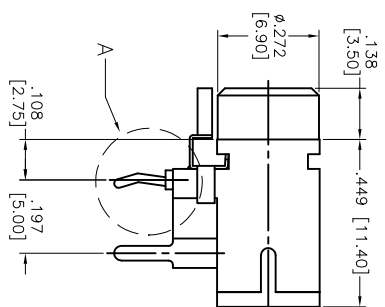
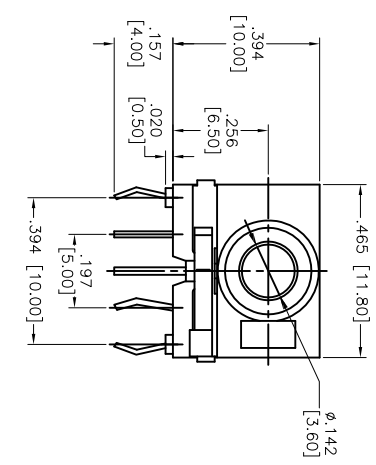
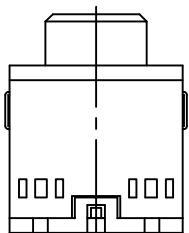


| Rev | AWO # | Description | Date | Appr |
|-----|-------|-------------|----------|------|
| - | | RELEASED | 11/19/14 | |

APPROVED: _____
 DATE: _____ TITLE: _____



SPECIFICATIONS:

- Material: Insulator: PBT, rated UL 94V-0
- Termini: Brass
- Spring: Phosphor Bronze
- Panel ground: Stainless steel
- Plating: Silver over Copper underplate overall
- Electrical: Contact resistance: 30 mohms max. Insulation resistance: 100 Mohms min. @ 500 VDC Dielectric withstanding voltage: 500 VAC for 1 minute
- Environmental: Lead free, RoHS compliant.

ADAM TECH

909 Railway Avenue, Union, NJ 07083
 Phone: 908-687-5000 Fax: 908-687-5710

TITLE: STEREO PHONE JACK, 3.5mm, GROUND SPRING, GREEN INSULATOR

| | |
|---|-------------|
| UNLESS OTHERWISE SPECIFIED ALL DIMENSIONS ARE INCHES [MM] | |
| TOLERANCES: EXCEPT AS NOTED | |
| INCHES | HILES |
| .X ± .10 | ØX ± .10 |
| .XX ± .020 | ØXXX ± .015 |
| .XXX ± .015 | ØXXX ± .010 |
| APPROVALS | DATE |
| DRAWN | HR |
| CHECKED | TW |
| APPROVED | |

| | | |
|-------------|-----------------|--------------|
| REF: S0002T | SCALE: NTS | SHEET 1 OF 1 |
| SIZE | PART NO. | REV. |
| X | ASL-6-5-577C-GS | - |

