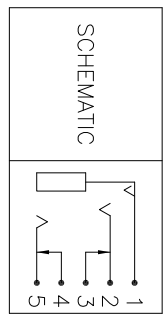
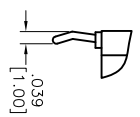
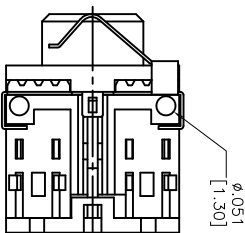
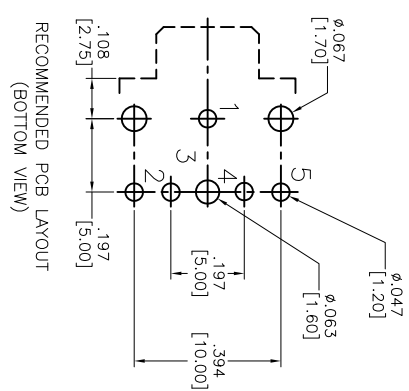
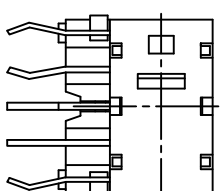
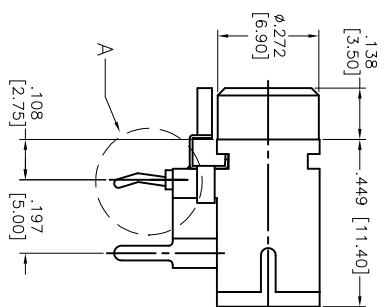
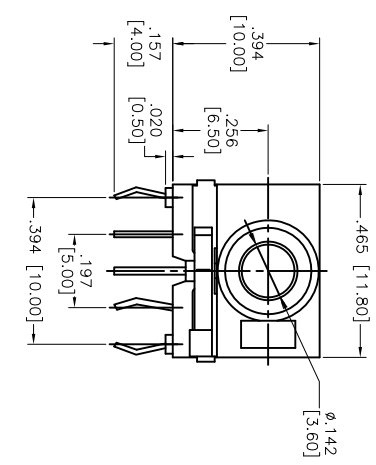
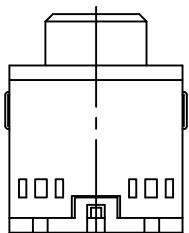


Rev	AWO #	Description	Date	Appr
-		RELEASED	11/19/14	

APPROVED: _____
 DATE: _____ TITLE: _____



SPECIFICATIONS:

- Material: Insulator: PBI, rated UL 94V-0
- Termini: Brass
- Panel ground: Stainless steel
- Plating: Silver over Copper underplate overall
- Electrical: Contact resistance: 30 mohms max. Insulation resistance: 100 Mohms min. @ 500 VDC Dielectric withstanding voltage: 500 VAC for 1 minute
- Environmental: Lead free, RoHS compliant.

ADAM TECH

909 Rahway Avenue, Union, NJ 07083
 Phone: 908-687-5000 Fax: 908-687-5710

STEREO PHONE JACK, 3.5mm, GROUND SPRING,
 PINK INSULATOR

UNLESS OTHERWISE SPECIFIED
 ALL DIMENSIONS ARE INCHES [MM]
 TOLERANCES EXCEPT AS NOTED
 INCHES: .10 ± .10, .020 ± .015, .015 ± .010
 HOLES: Ø.X, Ø.XXX, Ø.XXX ± .010
 APPROVALS: _____ DATE: _____

ADAM TECH
 909 Rahway Avenue, Union, NJ 07083
 Phone: 908-687-5000 Fax: 908-687-5710

STEREO PHONE JACK, 3.5mm, GROUND SPRING,
 PINK INSULATOR

UNLESS OTHERWISE SPECIFIED
 ALL DIMENSIONS ARE INCHES [MM]
 TOLERANCES EXCEPT AS NOTED
 INCHES: .10 ± .10, .020 ± .015, .015 ± .010
 HOLES: Ø.X, Ø.XXX, Ø.XXX ± .010
 APPROVALS: _____ DATE: _____

STEREO PHONE JACK, 3.5mm, GROUND SPRING,
 PINK INSULATOR

AS1-6-5-701C-GS
 SCALE: NTS
 SHEET 1 OF 1

