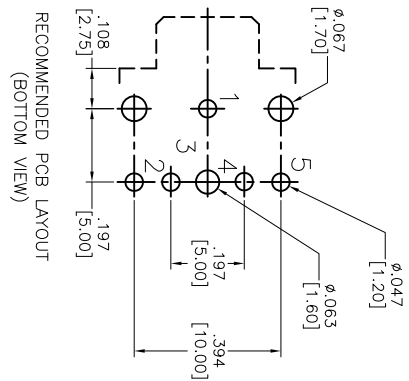
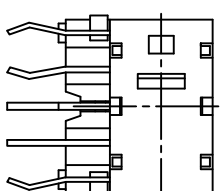
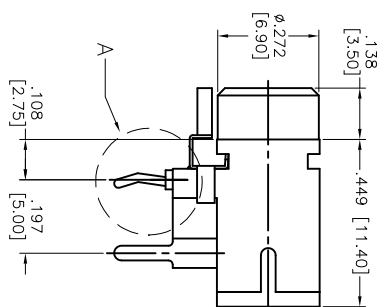
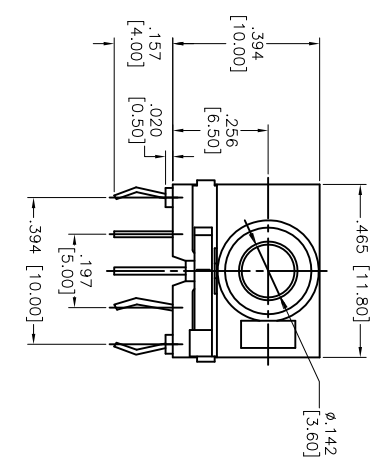
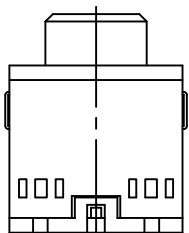
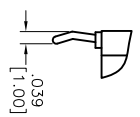
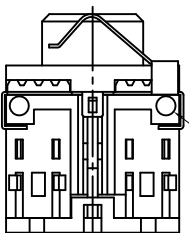


Rev	AWO #	Description	Date	Appr
-		RELEASED	11/19/14	

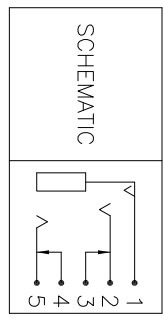
APPROVED: _____
 DATE: _____ TITLE: _____



RECOMMENDED PCB LAYOUT
(BOTTOM VIEW)



DETAIL A



SCHEMATIC

SPECIFICATIONS:
 Material: Insulator: PBT, rated UL 94V-0
 Insulator color: Black
 Terminal: Brass
 Springs: Phosphor Bronze
 Panel ground: Stainless steel
 Plating: Silver over Copper underplate overall

Electrical:
 Contact resistance: 30 mohms max.
 Insulation resistance: 100 Mohms min. @ 500 VDC
 Dielectric withstanding voltage: 500 VAC for 1 minute
Environmental:
 Lead free, RoHS compliant.



UNLESS OTHERWISE SPECIFIED ALL DIMENSIONS ARE INCHES [MM] TOLERANCES EXCEPT AS NOTED	
INCHES	MM
.X ± .10	ØX ± .10
.XX ± .020	ØXX ± .015
.XXX ± .015	ØXXX ± .010
APPROVALS	DATE
DRAWN	HR
CHECKED	TW
APPROVED	

ADAM TECH
 909 Rahway Avenue, Union, NJ 07083
 Phone: 908-687-5000 Fax: 908-687-5710

STEREO PHONE JACK, 3.5mm, GROUND SPRING

SIZE	PART NO.	REV.
X	ASL-6-5-GS	-
REF: S0002T	SCALE: NTS	SHEET 1 OF 1