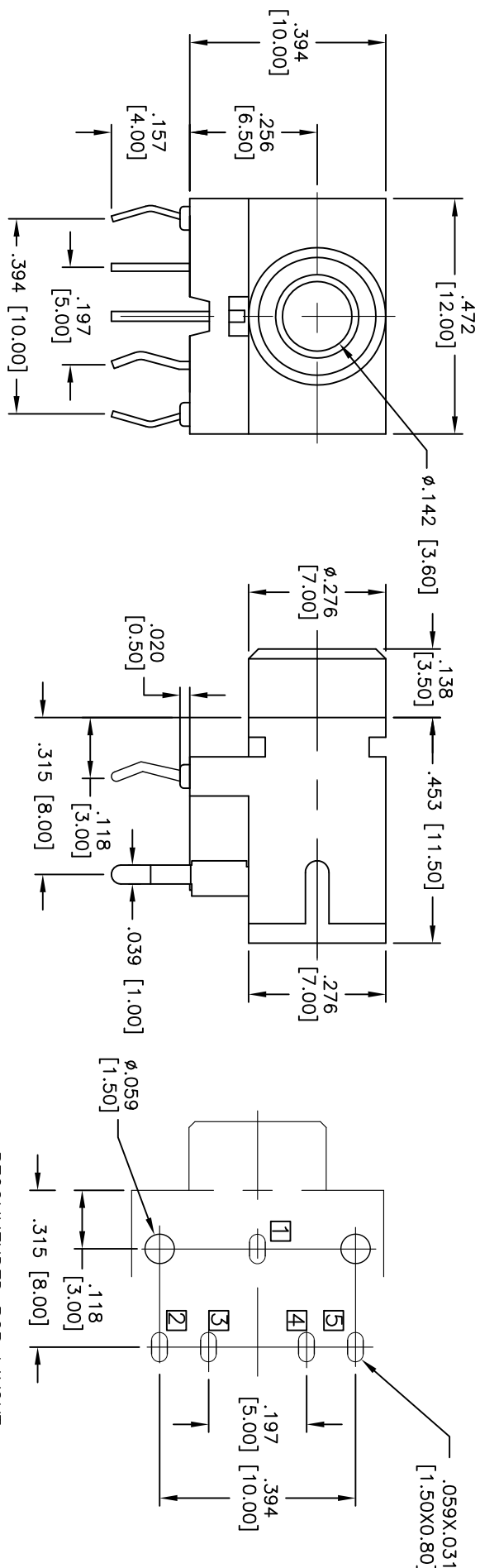


Rev	AWO #	Description	Date	Appr
-		RELEASED	3/21/12	

APPROVED: _____
 DATE: _____ TITLE: _____



CONTACT FORM	ASJ-6-5-701C-HT	ASJ-6-4B-701C-HT	ASJ-6-3A-701C-HT
SCHEMATIC			
CONTACT FORM	ASJ-6-3-701C-HT	ASJ-6-2-701C-HT	ASJ-6-4A-701C-HT
SCHEMATIC			

SPECIFICATIONS:

Material:
 Insulator: Hi-Temp PA9T, rated UL 94V-0
 Insulator color: Pink (Pantone Color #701C)
 Contacts: Copper Alloy, Tin plated.
 Electrical:
 Operating voltage: 30 VDC max.
 Current rating: 0.5 Amp max.
 Contact resistance: 30 mohms max.
 Insulation resistance: 30 mohms min.
 Dielectric withstanding voltage: 500 VAC for 1 minute
 Temperature Rating:
 Operating temperature: -20°C to +70°C
 Environmental:
 Lead free, RoHS compliant.
 Recommended soldering temp: 260°C for 5 sec.



ADAM TECH

909 Railway Avenue, Union, NJ 07083
 Phone: 908-687-5000 Fax: 908-687-5710

TITLE: STEREO PHONE JACK, 3.5mm, PINK
 PANTONE COLOR 701C, HI-TEMP

UNLESS OTHERWISE SPECIFIED ALL DIMENSIONS ARE INCHES [MM]		TOLERANCES: EXCEPT AS NOTED	
INCHES		HOLES	
.X ±.10	ØXX ±.10	.XX ±.020	ØXXX ±.015
.XXX ±.015	ØXXX ±.010	DATE	
DRAWN SS		3/21/12	
CHECKED		SIZE	PART NO.
APPROVED		X	ASJ-6-XX-701C-HT
REF: S0002C	SCALE: NTS	SHEET 1 OF 1	REV.