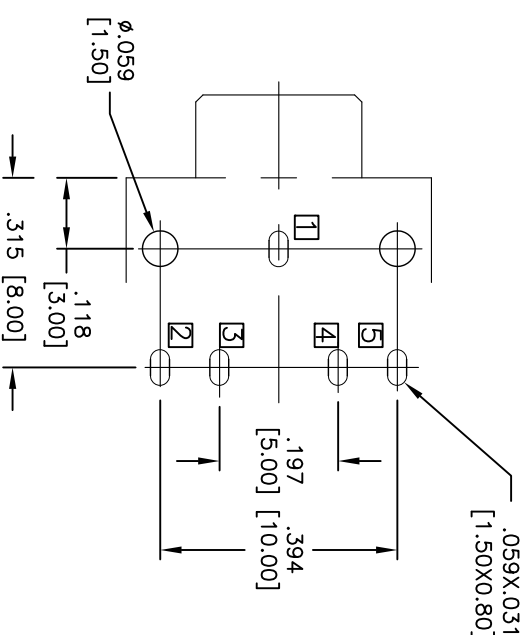
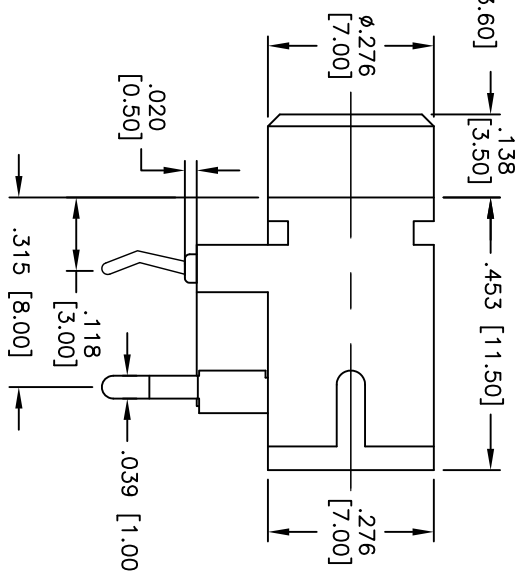
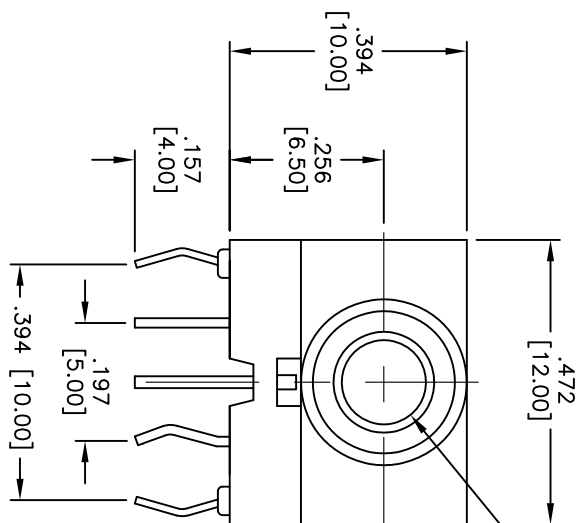


Rev	AWO #	Description	Date	Appr
-		RELEASED	6/28/12	

APPROVED: \_\_\_\_\_  
 DATE: \_\_\_\_\_ TITLE: \_\_\_\_\_



RECOMMENDED PCB LAYOUT

CONTACT FORM	ASJ-6-5-701C	ASJ-6-4B-701C	ASJ-6-3A-701C
SCHEMATIC			
CONTACT FORM	ASJ-6-3-701C	ASJ-6-2-701C	ASJ-6-4A-701C
SCHEMATIC			

**SPECIFICATIONS:**

**Material:**  
 Insulator: PBT, rated UL 94V-0  
 Insulator color: Pink (Pantone Color #701C)  
 Contacts: Copper Alloy, Tin plated.  
**Electrical:**  
 Operating voltage: 30 VDC max.  
 Current rating: 0.5 Amp max.  
 Contact resistance: 30 mohms max.  
 Insulation resistance: 100 Mohms min.  
 Dielectric withstanding voltage: 500 VAC for 1 minute  
 Temperature Rating:  
 Operating temperature: -20°C to +70°C  
**Environmental:**  
 Lead free, RoHS compliant.



UNLESS OTHERWISE SPECIFIED  
 ALL DIMENSIONS ARE INCHES [MM]  
 TOLERANCES: EXCEPT AS NOTED  
 INCHES HOLEES  
 .X ± .10 ØXX ± .10  
 .XX ± .020 ØXXX ± .015  
 .XXX ± .015 ØXXXX ± .010  
 APPROVALS DATE

**ADAM TECH**  
 909 Railway Avenue, Union, NJ 07083  
 Phone: 908-687-5000 Fax: 908-687-5710  
**TITLE**  
 STEREO PHONE JACK, 3.5mm, PINK  
 PANTONE COLOR 701C

DRAWN	AY	6/28/12	SIZE	PART NO.	REV.
CHECKED	NP	6/28/12	X	ASJ-6-XX-701C	-
APPROVED			REF: S0002C	SCALE: NTS	SHEET 1 OF 1