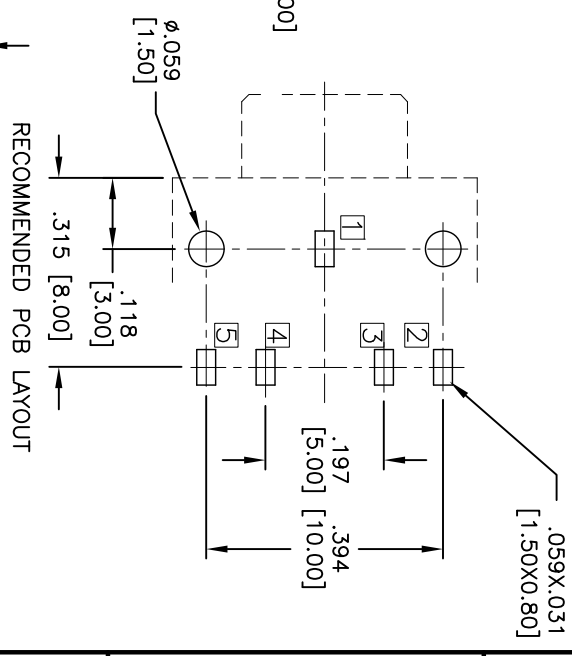
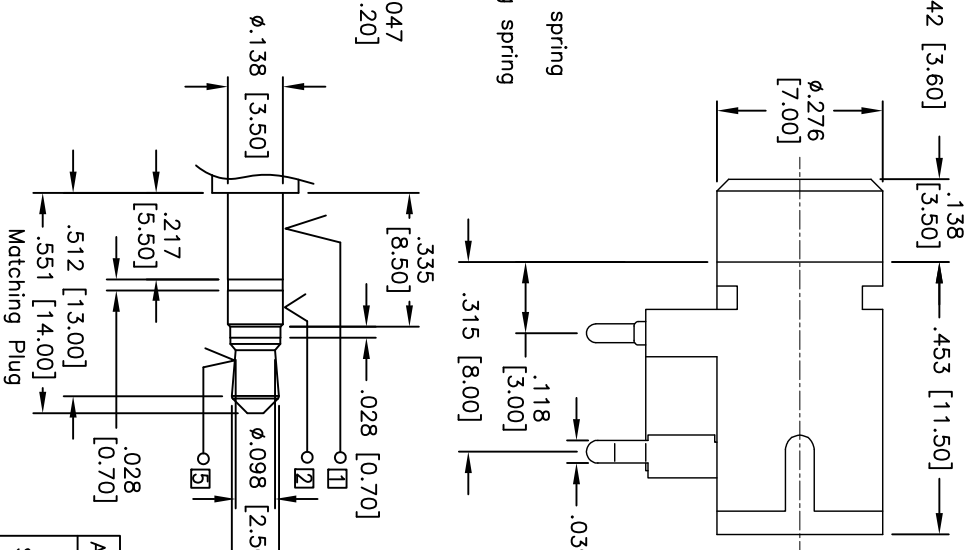
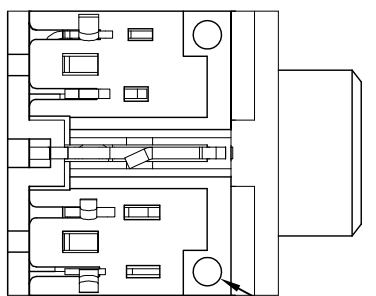
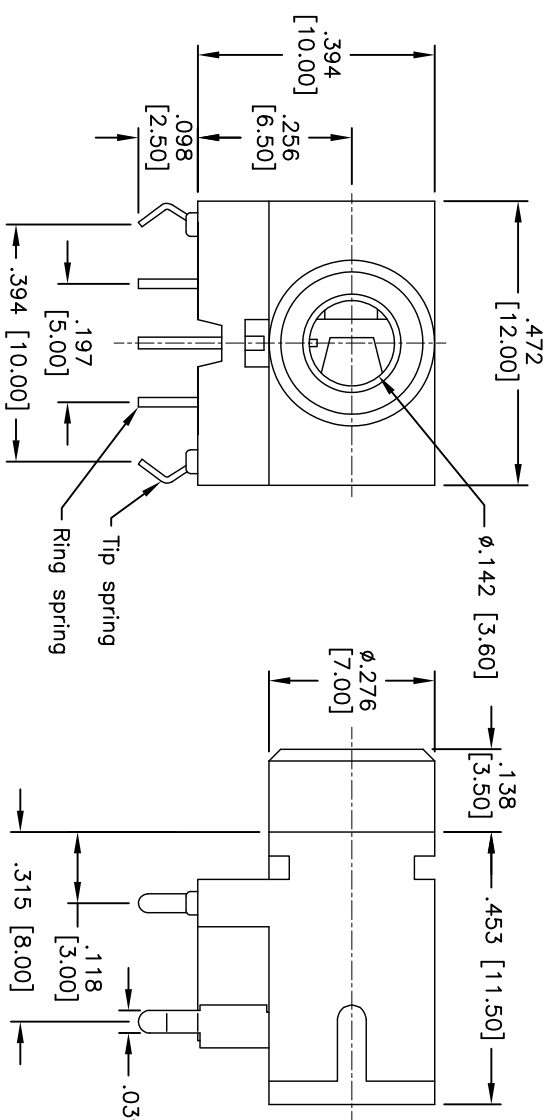


Rev	AWO #	Description	Date	Appr
-		RELEASED	12/6/12	

APPROVED: _____
 DATE: _____ TITLE: _____



ADAM P/N	ASJ-6W-5	ASJ-6W-4B	ASJ-6W-3A	ASJ-6W-3
SCHEMATIC				

SPECIFICATIONS:

Material:
 Insulator: PBT, rated UL 94V-0
 Insulator color: Black
 Cover: Nylon66, rated UL 94V-0
 Contacts: Copper Alloy, Tin Plated
 Tip spring: Stainless steel, Silver Plated
 Ring spring: Copper Alloy, Tin Plated

Electrical:
 Operating voltage: 30 VDC max.
 Current rating: 0.5 Amp max.
 Contact resistance: 50 Mohms max.
 Insulation resistance: 100 Mohms min.
 Dielectric withstanding voltage: 500 VAC for 1 minute
 Temperature Rating:
 Operating temperature: -20°C to +70°C
 Environmental:
 Lead free, RoHS compliant.



ADAM TECH
 909 Railway Avenue, Union, NJ 07083
 Phone: 908-687-5000 Fax: 908-687-5710

TITLE: STEREO PHONE JACK, 3.5mm

UNLESS OTHERWISE SPECIFIED ALL DIMENSIONS ARE INCHES [MM]		TOLERANCES: EXCEPT AS NOTED	
INCHES		HOLES	
X	± .10	ØX	± .10
.XX	± .020	ØXX	± .015
.XXX	± .015	ØXXX	± .010

APPROVALS	DATE
DRAWN AY	12/6/12
CHECKED GH	12/6/12
APPROVED	

SIZE	PART NO.	REV.
X	ASJ-6W-XX	-

REF:	SCALE:	SHEET	OF
S0002C	NTS	1	1