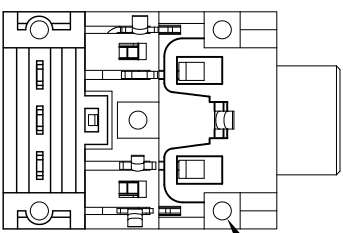
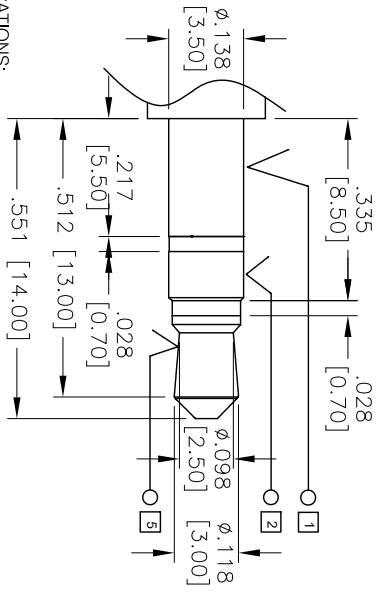
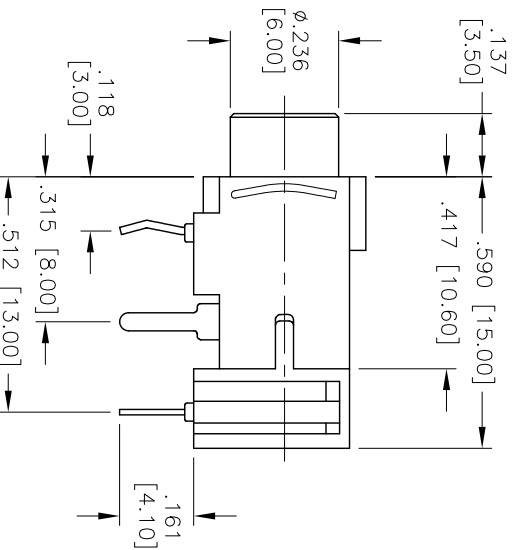
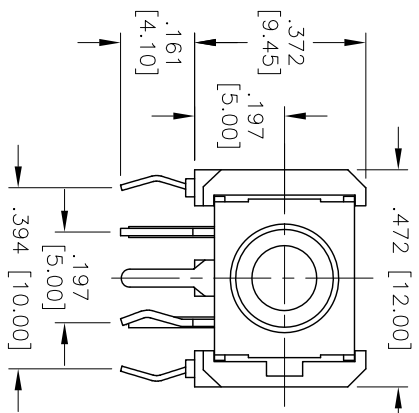
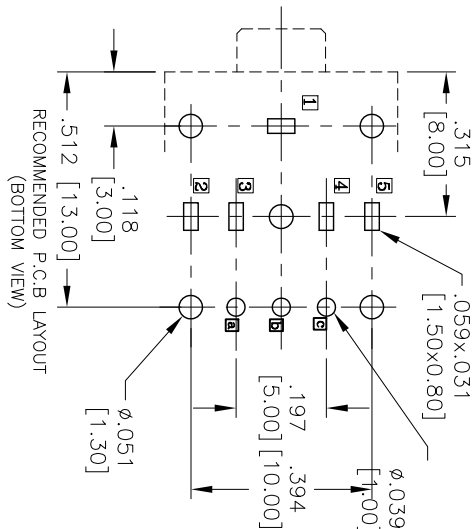


APPROVED: \_\_\_\_\_ TITLE: \_\_\_\_\_  
 DATE: \_\_\_\_\_

Rev	AWO #	Description	Date	Appr
-	7345	RELEASED	3/20/07	
A	7345	UPDATED & REDRAWN	12/5/07	
B		UPDATED & REDRAWN	1/20/15	AV/LW



ADAM P/N	ASL-7-5SW-HD	ASL-7-4BSW-HD	ASL-7-3SW-HD	ASL-7-3ASW-HD
Schematic				

**SPECIFICATIONS:**  
 DC MATE PLUG

**Material:**  
 Insulator: PA66, Glass reinforced, rated UL 94V-0  
 Insulator color: Black  
 Switch Housing: PBT, rated UL 94V-0, color: Black  
 Bushing: Brass, Nickel plated  
 Contacts: Copper Alloy  
 Spring: Spring wire, Nickel plated

**Plating:**  
 Tin over Copper underplate  
 Silver over Nickel underplate

**Electrical:**  
 Operating voltage: 30 VDC max.  
 Current rating: 0.5 Amp max.  
 Contact resistance: 50 mohms max.  
 Switch Contact resistance: 30 mohms max.  
 Insulation resistance: 100 Mohms min.  
 Dielectric withstanding voltage: 500 VAC for 1 minute

**Temperature Rating:**  
 Operating temperature: -20°C to +70°C

**Environmental:**  
 Lead free, RoHS compliant.

**ADAM TECH**  
 909 Railway Avenue, Union, NJ 07083  
 Phone: 908-687-5000 Fax: 908-687-5710

**ADAM TECH**  
 PHONE JACK, 3.5mm, WITH SWITCH

UNLESS OTHERWISE SPECIFIED ALL DIMENSIONS ARE IN INCHES [MM]	
TOLERANCES: EXCEPT AS NOTED	
INCHES	HOLDERS
.X ± .10	ØXX ± .10
.XX ± .020	ØXXX ± .015
.XXX ± .015	ØXXXX ± .010
APPROVALS	DATE
SS	3/20/07
DRAWN	
CHECKED	
APPROVED	

TITLE		SIZE	PART NO.	REV.
PHONE JACK, 3.5mm, WITH SWITCH		X	ASL-7-XSW-HD	B
REF:	S00022C	SCALE:	NIS	SHEET 1 OF 1