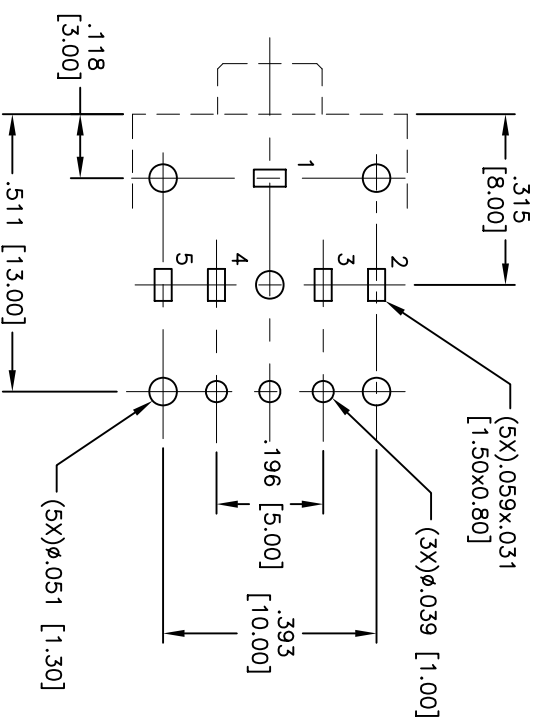
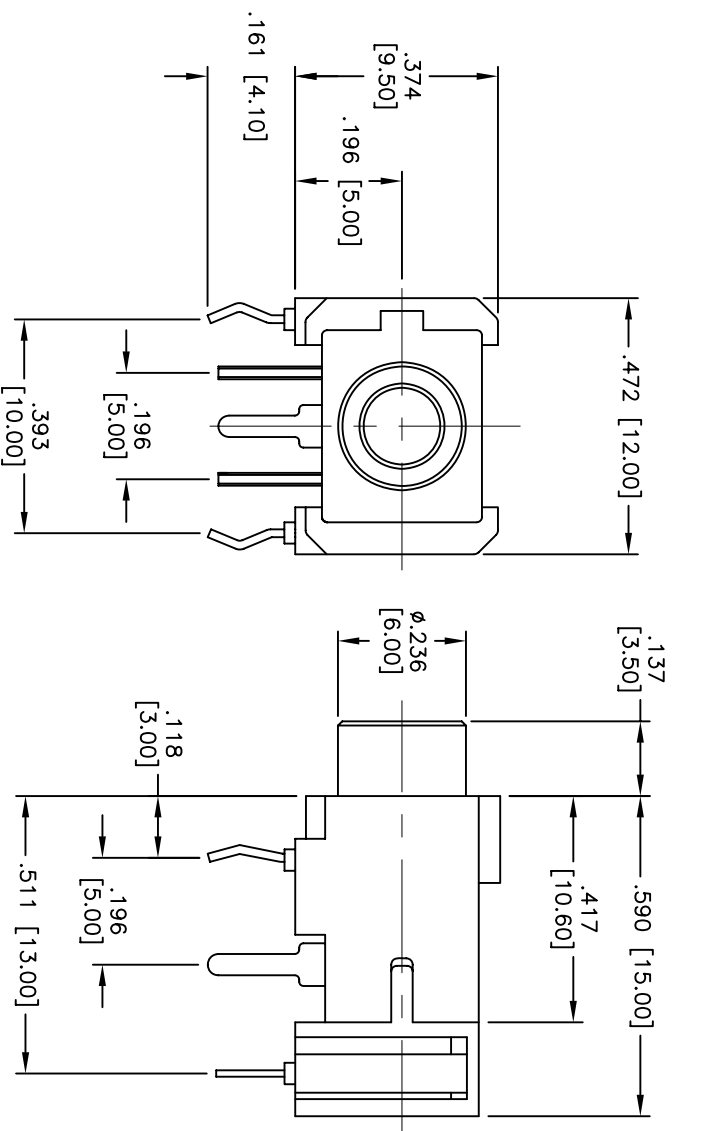
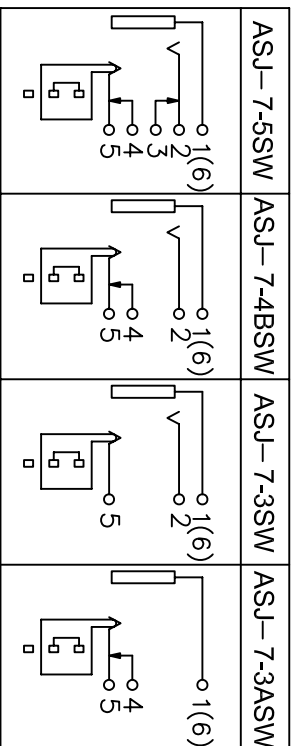


APPROVED: _____
 DATE: _____ TITLE: _____



P.C.B. LAYOUT
 TOP VIEW
 SCHEMATIC



SPECIFICATIONS:

Material: Insulator: PA66, rated UL 94V-0
 Insulator color: Black
 Contacts: Phosphor Bronze
 Plating: Silver over Nickel underplate overall
 Electrical:
 Operating voltage: 250 VAC max
 Current rating: 0.5 Amp max
 Contact resistance: 30 mohms max
 Insulation resistance: 1,000 Mohms min
 Dielectric withstanding voltage: 500 VAC for 1 minute
 Temperature Rating:
 Operating temperature: -65°C to +125°C
 Environmental:
 Lead free, RoHS compliant
 Recommended soldering temp: 235°C for 5 seconds



UNLESS OTHERWISE SPECIFIED
 ALL DIMENSIONS ARE IN INCHES [MM]
 TOLERANCES: EXCEPT AS NOTED
 INCHES: .X ± .10 ØXX ± .015
 .XX ± .020 .XXX ± .010
 .XXX ± .015
 APPROVALS: DATE

TITLE: PHONE JACK, 3.6mm
 909 Railway Avenue, Union, NJ 07083
 Phone: 908-687-5000 Fax: 908-687-5710

ADAM TECH

DRAWN	BW	12/06/06	SIZE	PART NO.	ASJ-7-XSW	REV.	A
CHECKED			X				
APPROVED			REF:	SCALE:	NTS	SHEET	1 OF 1

Rev	AWO #	Description	Date	Appr
-	7345	RELEASED	12/06/06	
A	7345	CORRECTED .511 DIM. TO CENTER PIN	4/20/07	