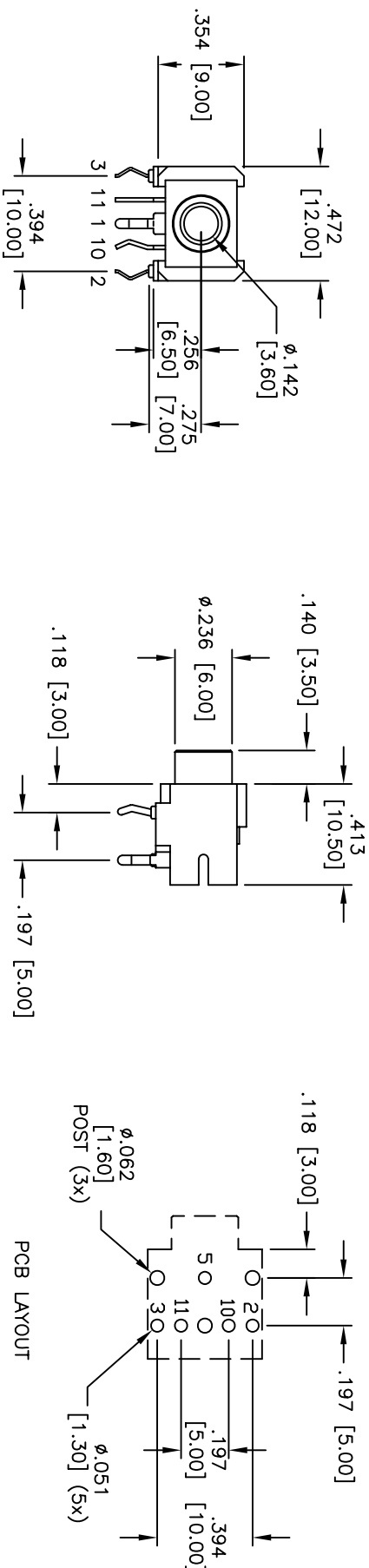
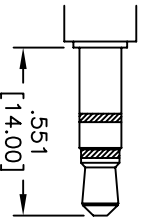


Rev	AWO #	Description	Date	Appr
-		RELEASED	8/10/06	

APPROVED: _____
 DATE: _____ TITLE: _____



CONTACT FORM	ASJ-7-02	ASJ-7-03	ASJ-7-3A	ASJ-7-4A	ASJ-7-4B	ASJ-7-05
SCHEMATIC						



RECOMMENDED ϕ 3.5
MATING PLUG

SPECIFICATIONS:

Material:
 Insulator: PBT, Glass reinforced, rated UL 94V-0
 Insulator color: Black
 Bushing: Brass, Nickel plated
 Contacts: Copper Alloy
 Plating:
 Tin over Copper underplate

Electrical:
 Operating voltage: 12 VDC max.

Current rating: 1 Amp max.

Contact resistance: 30 mohms max. initial

Insulation resistance: 100 Mohms min.

Dielectric withstanding voltage: 500 VAC for 1 minute

Mechanical
 Life Cycles: 25,000 Cycles min.

Temperature Rating:

Operating temperature: -65°C to +125°C

Environmental:

Lead free, RoHS compliant.

Recommended soldering temp: 235°C for 5 sec.



UNLESS OTHERWISE SPECIFIED ALL DIMENSIONS ARE INCHES [MM]	
TOLERANCES: EXCEPT AS NOTED	
INCHES	
.X ± .10	ϕ X ± .10
.XX ± .020	ϕ XX ± .015
.XXX ± .015	ϕ XXX ± .010
APPROVALS	DATE
DRAWN	SS
CHECKED	
APPROVED	

ADAM TECH
 909 Rahway Avenue, Union, NJ 07083
 Phone: 908-687-5000 Fax: 908-687-5710

TITLE: STEREO JACK, 3.5mm, RIGHT ANGLE

SIZE	PART NO.	REV.
X	ASJ7-XX-001	-
REF:	SCALE: NTS	SHEET 1 OF 1