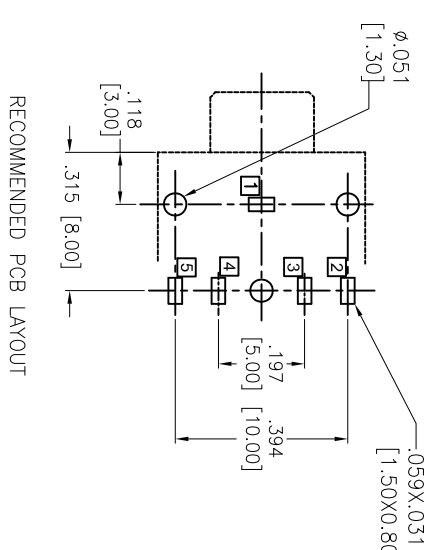
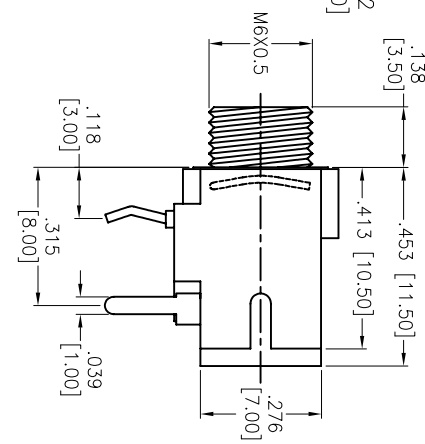
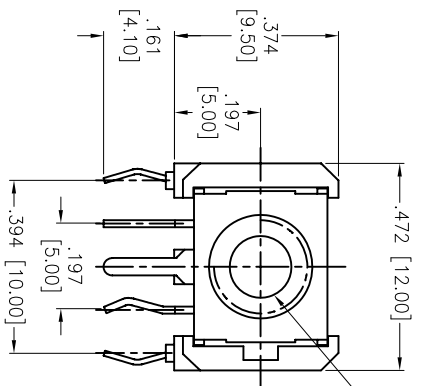
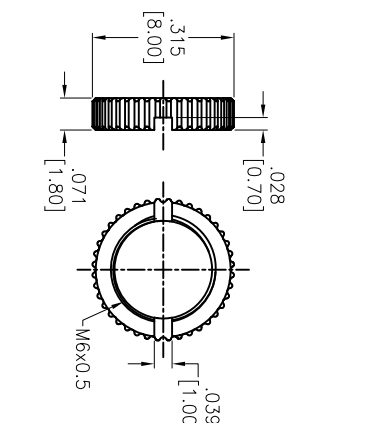
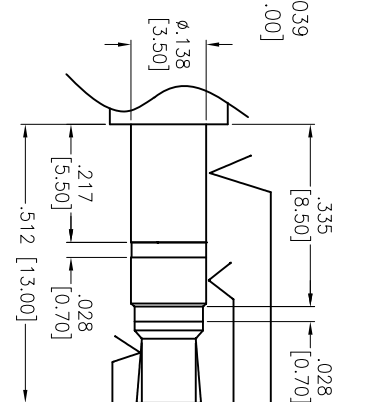
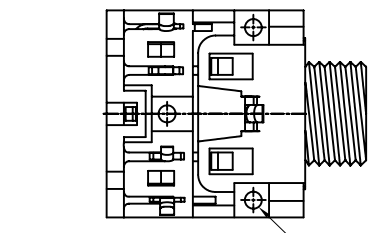


Rev	AWO #	Description	Date	Appr
-		RELEASED	07/30/12	

APPROVED: _____
 DATE: _____ TITLE: _____



RECOMMENDED PCB LAYOUT



DC MATE PLUG

ADAM P/N	ASJ-7-05-M-HDW	ASJ-7-4B-M-HDW	ASJ-7-3A-M-HDW	ASJ-7-03-M-HDW
SCHEMATIC				

UNLESS OTHERWISE SPECIFIED
 ALL DIMENSIONS ARE INCHES [MM]
 TOLERANCES: EXCEPT AS NOTED
 INCHES ±.10 ØXX ±.015
 .XX ±.020 ØXXX ±.010
 .XXX ±.015

SPECIFICATIONS:
 Material: Insulator: PA66, Glass reinforced, rated UL 94V-0
 Insulator color: Black
 Cover: , PBT, Color: Black
 Bushing: Copper alloy, Nickel plated
 Contacts: Copper alloy
 Spring: spring wire, Nickel plated
 Plating: Tin over Copper underplate overall
 Electrical: Operating voltage: 30 VDC max.
 Current rating: 0.5 Amp max.
 Contact resistance: 30 mohms max. initial
 Insulation resistance: 100 Mohms min.
 Dielectric withstanding voltage: 500 VAC for 1 minute
 Temperature Rating: Operating temperature: -20°C to +70°C
 Environmental: Lead Free, RoHS compliant

ADAM TECH
 909 Railway Avenue, Union, NJ 07083
 Phone: 908-687-5000 Fax: 908-687-5710



APPROVALS	DATE	TITLE	SIZE	PART NO.	SCALE	SHEET	REV.
DRAWN	TW	STEREO JACK	X	ASJ-7-XX-M-HDW	N/A	1	-
CHECKED	AY	M6 x 0.5 THREADED BUSHING	X	ASJ-7-XX-M-HDW	N/A	1	-
APPROVED							