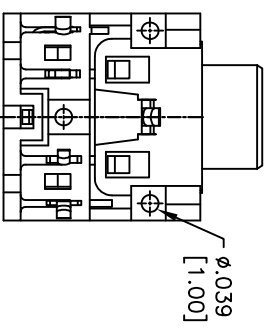
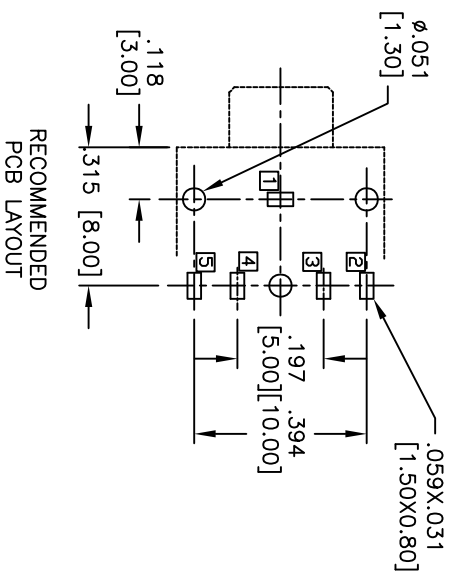
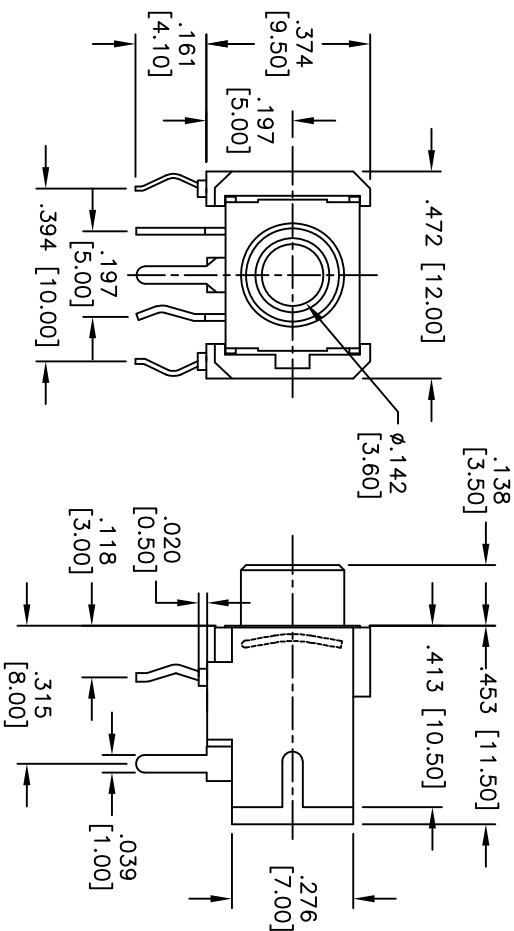


Rev	AWO #	Description	Date	Appr
-		RELEASED	12/10/04	
A		ADDED ROHS INFO	06/15/06	BAS
B		REDRAWN	7/22/11	

APPROVED: _____
 DATE: _____ TITLE: _____



SPECIFICATIONS:

Material:
 Insulator: PA66, Glass reinforced, rated UL 94V-0
 Insulator color: Black
 Cover: , PBT, Color: Black
 Bushing: Brass, Nickel plated
 Contacts: Brass
 Tip spring: Phosphor Bronze, Tin plated
 Ring spring: Phosphor Bronze, Tin plated
 Spring: spring wire, Nickel plated
 Plating:
 Tin over Copper underplate overall

Electrical:
 Operating voltage: 30 VDC max.
 Current rating: 0.5 Amp max.
 Contact resistance: 30 mohms max. initial
 Insulation resistance: 100 Mohms min.
 Dielectric withstanding voltage: 500 VAC for 1 minute
 Temperature Rating:
 Operating temperature: -20°C to +70°C
 Environmental:
 Lead Free, RoHS compliant

ADAM P/N	ASJ-7-05	ASJ-7-4B	ASJ-7-3A	ASJ-7-03	ASJ-7-02	ASJ-7-4A
SCHEMATIC						

ADAM TECH

909 Railway Avenue, Union, NJ 07083
 Phone: 908-687-5000 Fax: 908-687-5710

STEREO JACK 3.50MM

UNLESS OTHERWISE SPECIFIED ALL DIMENSIONS ARE IN INCHES [MM]		TOLERANCES: EXCEPT AS NOTED	
INCHES		Holes	
.X	± .10	ØXX	± .10
.XX	± .020	ØXXX	± .015
.XXX	± .015	ØXXXX	± .010
APPROVALS		DATE	
DRAWN	SS	10/4/04	
CHECKED			
APPROVED			
TITLE		SIZE	PART NO.
STEREO JACK 3.50MM		X	ASJ-7-XX
REF: S0002C		SCALE:	NIS
		SHEET	1 OF 1
		REV.	B

