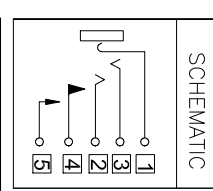
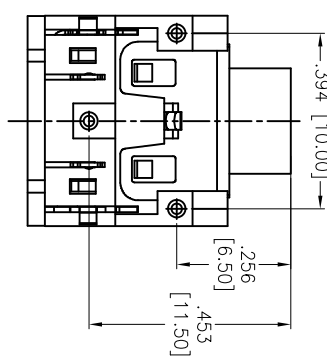
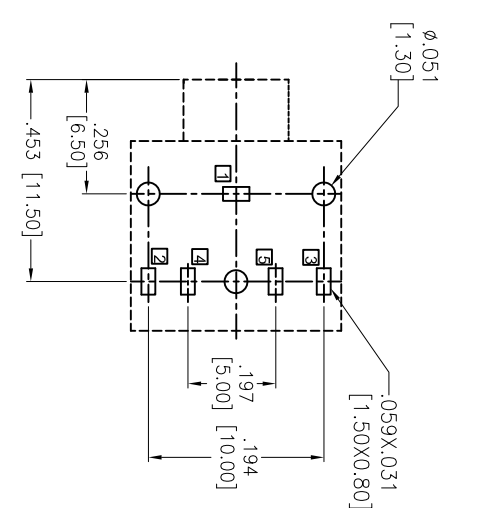
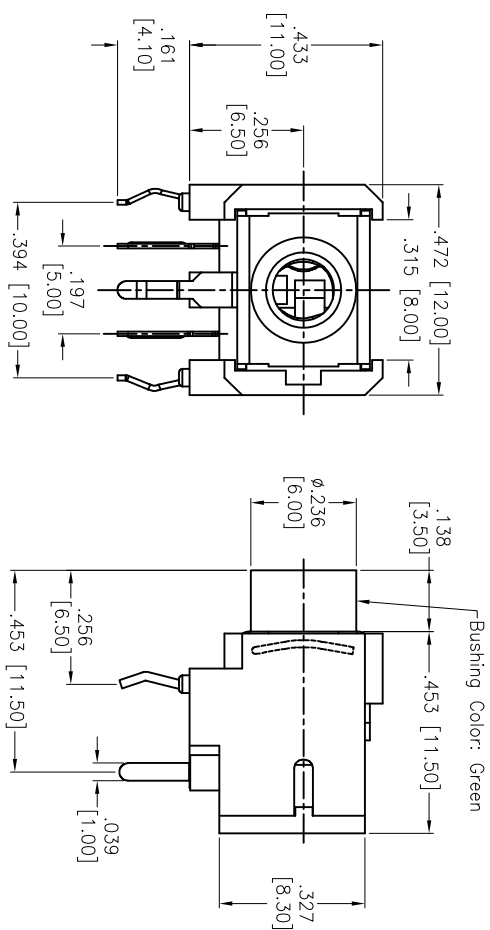


Rev	AWO #	Description	Date	Appr
-		RELEASED	02/14/12	

APPROVED: \_\_\_\_\_  
 DATE: \_\_\_\_\_ TITLE: \_\_\_\_\_



**SPECIFICATIONS:**

**Material:**  
 Insulator: PA66, glass reinforced, rated UL 94V-0  
 Insulator color: Black  
 Cover: PA66, glass reinforced, rated UL 94V-0 color: Black  
 Bushing: Copper Alloy, Nickel plated  
 Contacts: Copper Alloy  
 Plating:  
 Silver over Nickel underplate overall  
**Electrical:**  
 Operating voltage: 30 VDC max.  
 Current rating: 0.5 Amp max.  
 Contact resistance: 30 mohms max. initial  
 Insulation resistance: 100 Mohms min.  
 Dielectric withstanding voltage: 500 VAC for 1 minute  
**Temperature Rating:**  
 Operating temperature: -20°C to +70°C  
**Environmental:**  
 Lead free, RoHS compliant.  
 Recommended soldering temp: 235°C for 5 sec.



**ADAM TECH**

909 Rahway Avenue, Union, NJ 07083  
 Phone: 908-687-5000 Fax: 908-687-5710

TITLE: 3.50MM PHONE JACK, BUSHING COLOR: GREEN

UNLESS OTHERWISE SPECIFIED ALL DIMENSIONS ARE INCHES [MM] TOLERANCES: EXCEPT AS NOTED		INCHES		HOLDS	
.X	± .10	ØX	± .10		
.XX	± .020	ØXXX	± .015		
.XXX	± .015	ØXXX	± .010		
APPROVALS		DATE			
DRAWN	TW	02/14/12			
CHECKED	AY	02/14/12			
APPROVED					
SIZE		PART NO.		REV.	
X		ASL-7H-1A-GRN		A	
REF: S00002C		SCALE: NTS		SHEET 1 OF 1	