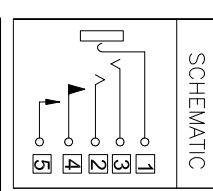
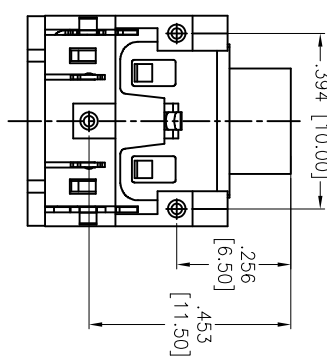
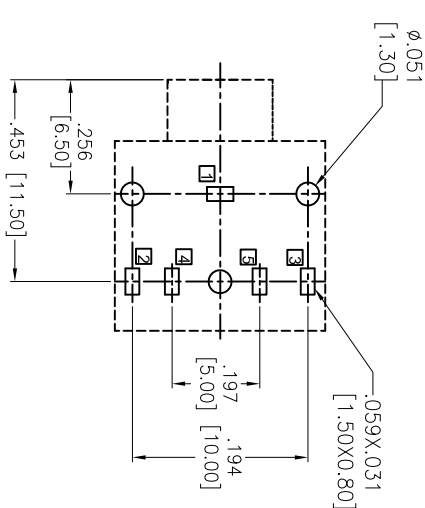
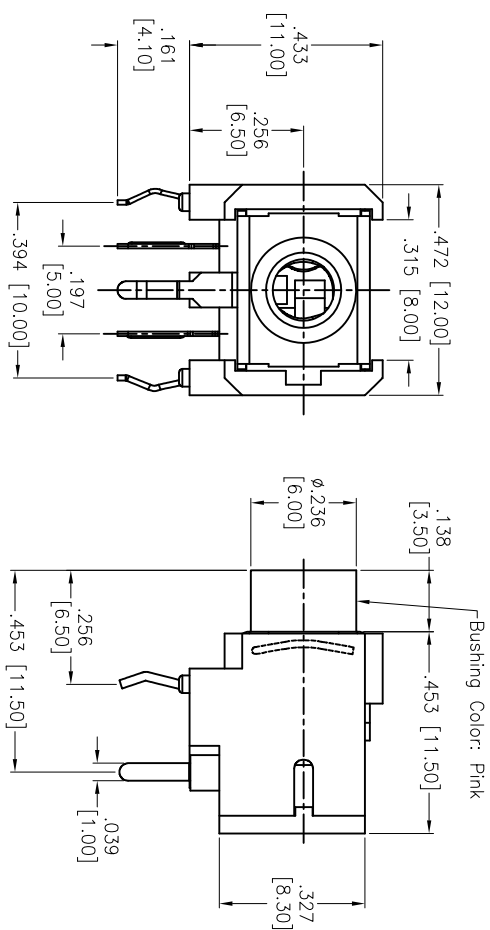


Rev	AWO #	Description	Date	Appr
-		RELEASED	02/14/12	

APPROVED: _____
 DATE: _____ TITLE: _____



SPECIFICATIONS:

Material:
 Insulator: PA66, glass reinforced, rated UL 94V-0
 Insulator color: Black
 Cover: PA66, glass reinforced, rated UL 94V-0 color: Black
 Bushing: Copper Alloy, Nickel plated
 Contacts: Copper Alloy
 Plating:
 Silver over Nickel underplate overall
Electrical:
 Operating voltage: 30 VDC max.
 Current rating: 0.5 Amp max.
 Contact resistance: 30 mohms max. initial
 Insulation resistance: 100 Mohms min.
 Dielectric withstanding voltage: 500 VAC for 1 minute
Temperature Rating:
 Operating temperature: -20°C to +70°C
Environmental:
 Lead free, RoHS compliant.
 Recommended soldering temp: 235°C for 5 sec.



ADAM TECH

909 Rahway Avenue, Union, NJ 07083
 Phone: 908-687-5000 Fax: 908-687-5710

TITLE: 3.50MM PHONE JACK, BUSHING COLOR: PINK

UNLESS OTHERWISE SPECIFIED ALL DIMENSIONS ARE INCHES [MM]		TOLERANCES: EXCEPT AS NOTED	
INCHES		HOLE	
.X	± .10	ØXX	± .10
.XX	± .020	ØXXX	± .015
.XXX	± .015	ØXXX	± .010
APPROVALS		DATE	
DRAWN	TW	02/14/12	
CHECKED	AY	02/14/12	
APPROVED			

SIZE	PART NO.	REV.
X	ASL-7H-1A-PNK	-
REF:	S00002C	SCALE: NTS
SHEET 1 OF 1		