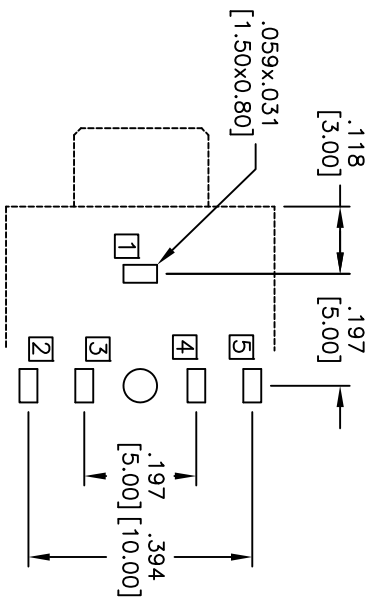
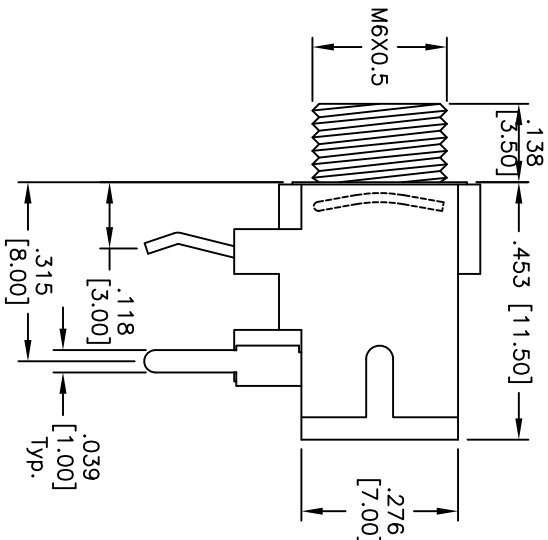
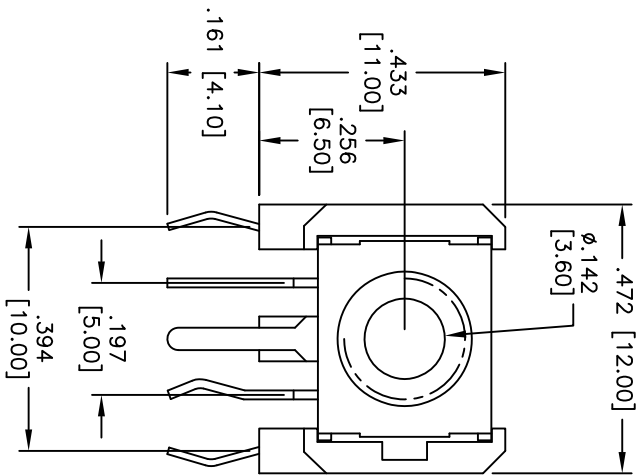


Rev	AWO #	Description	Date	Appr
-		RELEASED	7/13/09	

APPROVED: \_\_\_\_\_  
 DATE: \_\_\_\_\_ TITLE: \_\_\_\_\_



RECOMMENDED PCB LAYOUT  
 (Copper-sided view)

CONTACT FORM	ASJ-7H-5-M	ASJ-7H-4B-M	ASJ-7H-3A-M	ASJ-7H-3-M
SCHEMATIC				

**SPECIFICATIONS:**  
 Material: Insulator: PBT, glass reinforced, rated UL 94V-0  
 Insulator color: Black  
 Bushing: Brass, Nickel plated  
 Contacts: Copper Alloy  
 Plating: Tin over Copper underplate  
 Electrical: Operating voltage: 30 VDC max.  
 Current rating: 0.5 Amp max.  
 Contact resistance: 30 mohms max. Initial  
 Insulation resistance: 100 Mohms min.  
 Dielectric withstanding voltage: 500 VAC for 1 minute  
 Temperature Rating: Operating temperature: -65°C to +125°C  
 Environmental: Lead free, RoHS compliant.  
 Recommended soldering temp: 235°C for 5 sec.



**ADAM TECH**

909 Railway Avenue, Union, NJ 07083  
 Phone: 908-687-5000 Fax: 908-687-5710

TITLE: STEREO JACK  
 M6 x 0.5 THREADED BUSHING

UNLESS OTHERWISE SPECIFIED ALL DIMENSIONS ARE INCHES [MM]		TOLERANCES: EXCEPT AS NOTED	
INCHES		HOLE SIZE	
.X	± .10	Ø.X	± .10
.XX	± .020	Ø.XX	± .015
.XXX	± .015	Ø.XXX	± .010
APPROVALS		DATE	
DRAWN	DY	7/13/09	
CHECKED			
APPROVED			
REF: S00002C	SCALE: NTS	SHEET 1 OF 1	REV.