

6

5

4

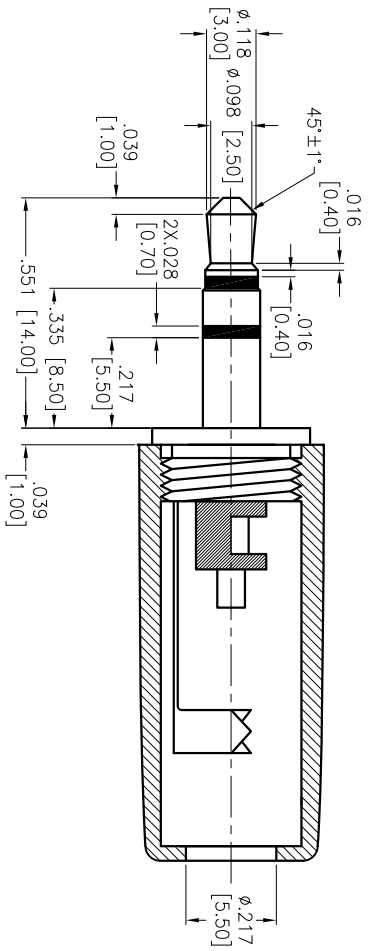
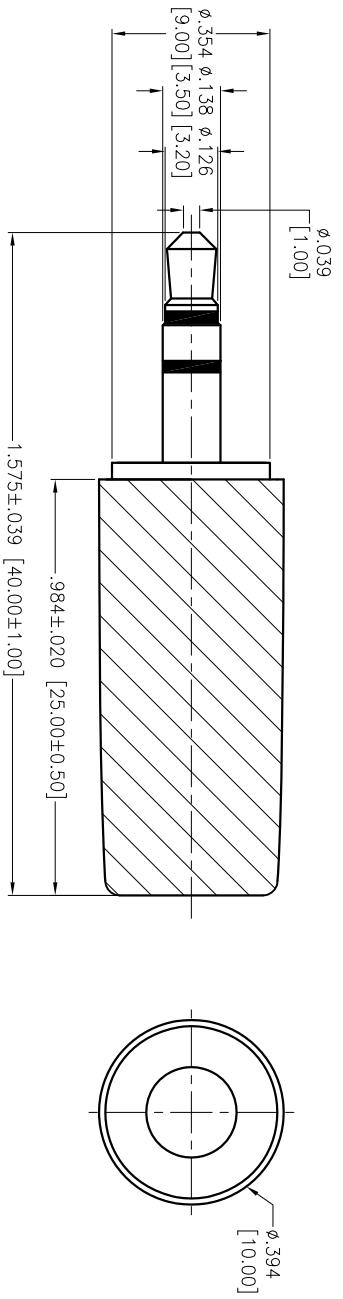
3

2

1

APPROVED: \_\_\_\_\_  
DATE: \_\_\_\_\_ TITLE: \_\_\_\_\_

Rev	AWO #	Description	Date	Appr
-		RELEASED	10/14/04	
A		REVISED DRAWN	10/25/11	
B		REDRAWN	9/16/13	AY/GC



**SPECIFICATIONS:**

- Material: Insulator: ABS, Color: Black
- Plastic Cover: ABS, Color: Black
- Ring: Brass, Nickel plated
- Sleeve: Brass, Nickel plated
- Terminal: Brass, Nickel plated
- Contacts Head: Brass, Nickel plated

- Electrical: Contact Resistance: 30m Ohms max
- Insulation Resistance: 100m Ohms min @ dc 500V
- Dielectric Withstanding Voltage: AC 500V for 1 min.
- Environmental: Lead free, RoHS compliant.



UNLESS OTHERWISE SPECIFIED  
ALL DIMENSIONS ARE INCHES [MM]  
TOLERANCES: EXCEPT AS NOTED

INCHES	Holes
.X ± .10	Ø.X ± .10
.XX ± .020	Ø.XX ± .015
.XXX ± .015	Ø.XXX ± .010

APPROVALS

DATE	DATE
SS	10/14/04

**ADAM TECH**  
909 Ratway Avenue, Union, NJ 07083  
Phone: 908-687-5000 Fax: 908-687-5710

TITLE	AUDIO STEREO PLUG, 3.5mm	
SIZE	PART NO.	REV.
X	ASP-3.5-S	B
REF: S00062T	SCALE: NTS	SHEET 1 OF 1

6

5

4

3

2

1