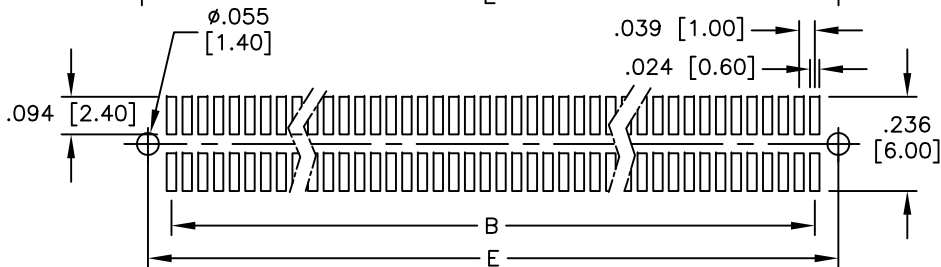
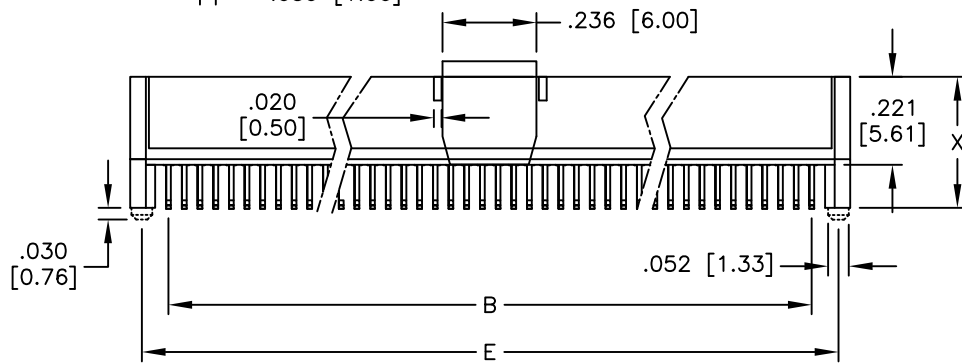
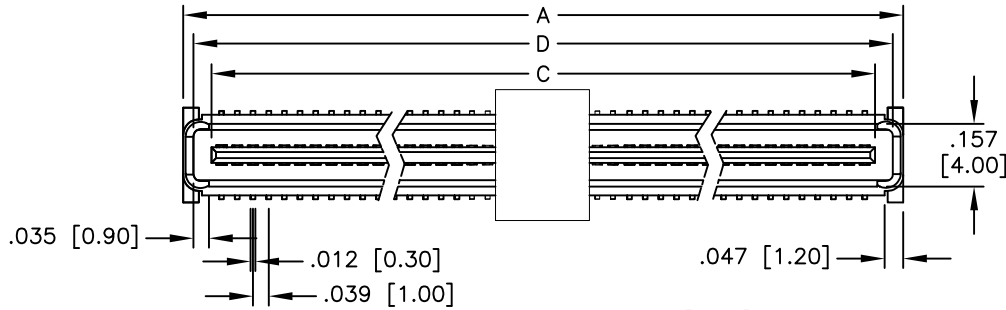
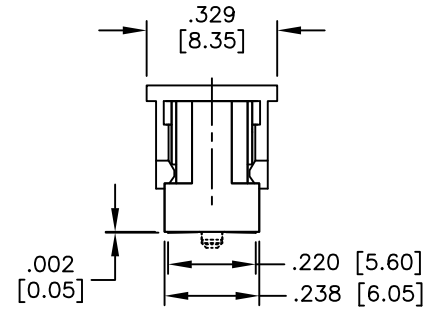


APPROVED: \_\_\_\_\_  
 DATE: \_\_\_\_\_ TITLE: \_\_\_\_\_

Rev	AWO #	Description	Date	Appr
-		RELEASED	11/30/10	
A		REVISED INSULATOR COLOR	8/22/12	
B		UPDATE DRAWING	3/10/16	AY/MY



RECOMMENDED PCB LAYOUT



ADAM P/N	X
BB10-PO-XXX-G-6.35-PP-T/R	.250 [6.35]
BB10-PO-XXX-G-7.35-PP-T/R	.289 [7.35]
BB10-PO-XXX-G-8.35-PP-T/R	.329 [8.35]

PACKAGED ON TAPE & REEL

- A = .039 [1.00] x (No. of Positions per row) + .154 [3.90]
- B = .039 [1.00] x (No. of Positions per row) - .039 [1.00]
- C = .039 [1.00] x (No. of Positions per row) + .012 [0.30]
- D = .039 [1.00] x (No. of Positions per row) + .094 [2.38]
- E = .039 [1.00] x (No. of Positions per row) + .094 [2.40]

SPECIFICATIONS:

Material:  
 Insulator: Hi-temp thermoplastic, rated UL 94V-0  
 Insulator color: Black  
 Contacts: Copper Alloy  
 Plating:  
 Gold flash over Nickel underplate overall.  
 Electrical:  
 Current rating: 0.5 Amps  
 Contact resistance: 40 mohms max @ DC 1mA  
 Insulation resistance: 100 Mohms min @ DC 100V  
 Dielectric withstanding voltage: AC 500V for 1 minute  
 Temperature Rating:  
 Operating Temperature: -40°C to +85°C  
 Environmental:  
 Lead free, RoHS compliant



UNLESS OTHERWISE SPECIFIED  
 ALL DIMENSIONS ARE INCHES [MM]  
 TOLERANCES: EXCEPT AS NOTED  
 INCHES HOLES  
 .X ± .10 ØX ± .10  
 .XX ± .020 ØXX ± .015  
 .XXX ± .015 ØXXX ± .010

**ADAM TECH**

909 Rahway Avenue, Union, NJ 07083  
 Phone: 908-687-5000 Fax: 908-687-5710

APPROVALS		DATE
DRAWN	DY	11/30/10
CHECKED		
APPROVED		

TITLE		
.039 [1.00] BOARD TO BOARD PLUG, SMT TYPE		
SIZE	PART NO.	REV.
X	BB10-PO-XXX-G-X.XX-PP-T/R	A
REF: S00058T	SCALE: NTS	SHEET 1 OF 1