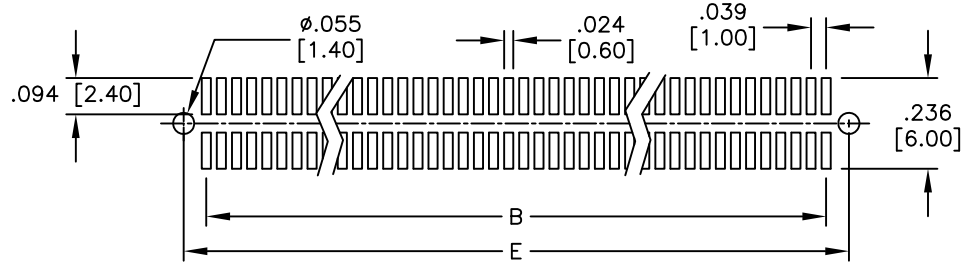
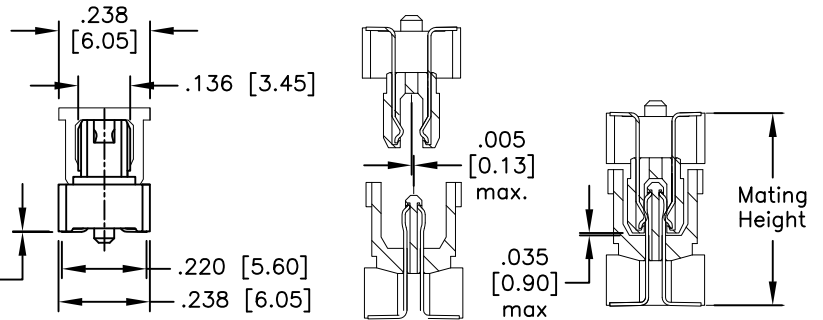
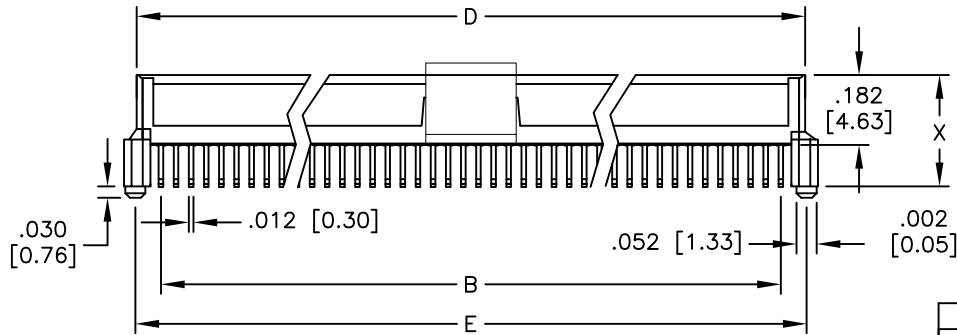
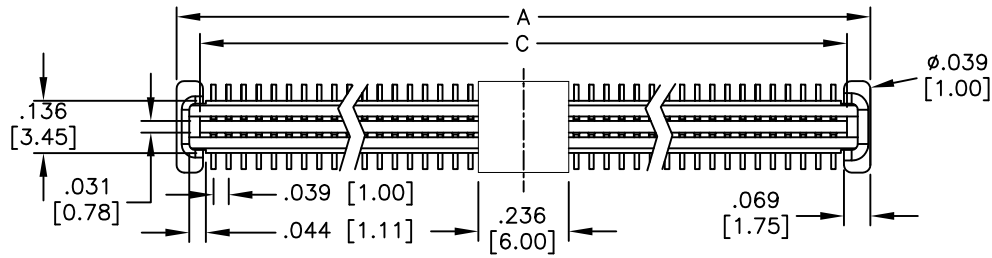


APPROVED: \_\_\_\_\_  
 DATE: \_\_\_\_\_ TITLE: \_\_\_\_\_

Rev	AWO #	Description	Date	Appr
-		RELEASED	11/26/10	
A		ADDED ASSEMBLY VIEW	6/25/15	HR/SY
B		UPDATE DRAWING	3/10/16	AY/MY



RECOMMENDED PCB LAYOUT

ADAM P/N	X	Plug Height	Mating Height
BB10-SO-XXX-G-5.37-30-PP-T/R	.211 [5.37]	.250 [6.35]	.315 [8.00]
		.289 [7.35]	.354 [9.00]
		.328 [8.35]	.394 [10.00]
BB10-SO-XXX-G-7.37-30-PP-T/R	.290 [7.37]	.250 [6.35]	.394 [10.00]
		.328 [8.35]	.472 [12.00]
		.250 [6.35]	.433 [11.00]
BB10-SO-XXX-G-8.37-30-PP-T/R	.330 [8.37]	.289 [7.35]	.472 [12.00]
		.328 [8.35]	.513 [13.00]
		.250 [6.35]	.513 [13.00]
BB10-SO-XXX-G-10.37-30-PP-T/R	.408 [10.37]	.289 [7.35]	.551 [14.00]
		.328 [8.35]	.591 [15.00]

Mated with: BB10-PO-XXX-G-X.XX-PP-T/R  
 BB10-PO-XXX-G-X.XX-NP-PP-T/R

PACKAGED ON TAPE & REEL

- A = .039 [1.00] x (No. of Positions per row) + .154 [3.90]
- B = .039 [1.00] x (No. of Positions per row) - .039 [1.00]
- C = .039 [1.00] x (No. of Positions per row) + .031 [0.80]
- D = .039 [1.00] x (No. of Positions per row) + .087 [2.22]
- E = .039 [1.00] x (No. of Positions per row) + .094 [2.40]

SPECIFICATIONS:

Material:  
 Insulator: Hi-temp thermoplastic, rated UL 94V-0  
 Insulator color: Black  
 Contacts: Copper Alloy  
 Plating:  
 30u" Gold over Nickel underplate on contact area  
 Gold over Nickel underplate overall  
 Electrical:  
 Current rating: 0.5 Amps  
 Contact resistance: 40 mohms max @ DC 1mA  
 Insulation resistance: 100 Mohms min @ DC 100V  
 Dielectric withstanding voltage: AC 500V for 1 minute  
 Temperature Rating:  
 Operating Temperature: -40°C to +85°C  
 Environmental:  
 Lead free, RoHS compliant



UNLESS OTHERWISE SPECIFIED ALL DIMENSIONS ARE INCHES [MM] TOLERANCES: EXCEPT AS NOTED			
INCHES		HOLES	
.X ± .10	∅X ± .10		
.XX ± .020	∅XX ± .015		
.XXX ± .015	∅XXX ± .010		

**ADAM TECH**

909 Rahway Avenue, Union, NJ 07083  
 Phone: 908-687-5000 Fax: 908-687-5710

APPROVALS		DATE
DRAWN	AY	11/26/10
CHECKED	AW	11/26/10
APPROVED		

TITLE .039 [1.00] BOARD TO BOARD SOCKET SMT TYPE, 30U" GOLD PLATED		
SIZE X	PART NO. BB10-SO-XXX-G-X.XX-30-PP-T/R	REV. B
REF: S00058T	SCALE: NTS	SHEET 1 OF 1