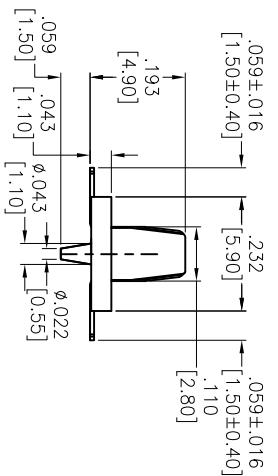
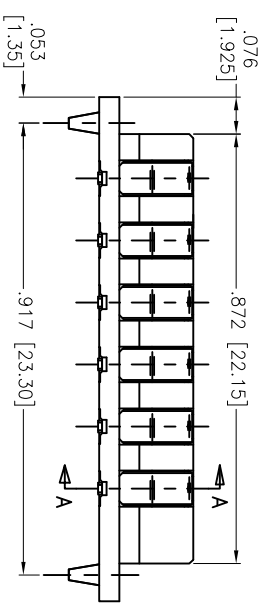
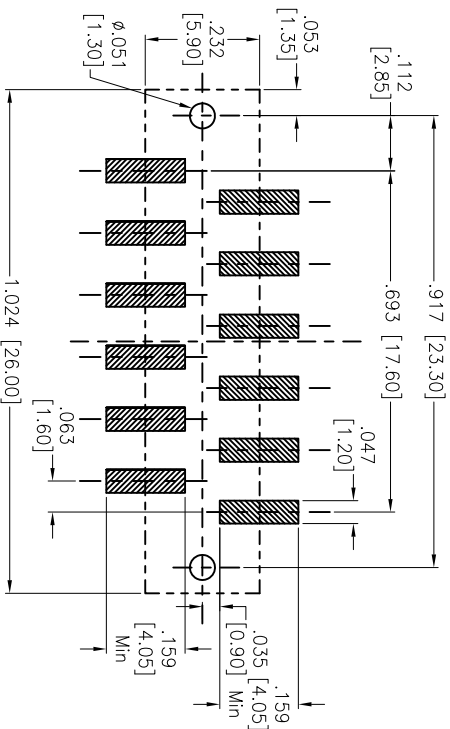
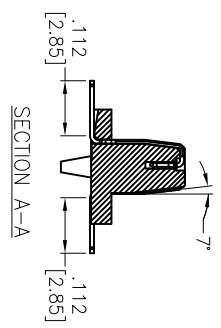
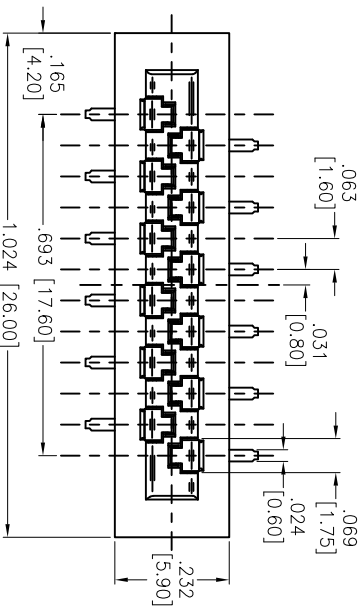


Rev	AWO #	Description	Date	Appr
-		TEMPORARILY FYI ONLY	03/06/13	

APPROVED: _____
 DATE: _____ TITLE: _____



SPECIFICATIONS:
 Material: Insulator: Hi-Temp thermoplastic, rated UL 94V-0
 Insulator color: Black
 Contacts: Phosphor Bronze
 Plating: Gold over Nickel underplate in contact area, Tin over Copper underplate on solder tails.
 Electrical: Operating voltage: 125V
 Current rating: 1 Amps
 Temperature Rating: Operating temperature: -40°C to +105°C
 Environmental: Lead free, RoHS compliant

UNLESS OTHERWISE SPECIFIED
 ALL DIMENSIONS ARE INCHES [MM]
 TOLERANCES: EXCEPT AS NOTED
 INCHES: .X ± .10, .XX ± .020, .XXX ± .015
 HOLE: ØX ± .015, ØXXX ± .010
 DATE: _____

DRAWN	TW	03/06/13
CHECKED	YC	03/06/13
APPROVED		

ADAM TECH
 909 Railway Avenue, Union, NJ 07083
 Phone: 908-687-5000 Fax: 908-687-5710

TITLE: .063 [1.60] PITCH BOARD TO BOARD, 12PINS
 PLUG CONNECTOR, SEL-GOLD PLATED

SIZE: X PART NO.: BB16-P-12-SG
 REF: S0070T SCALE: NTS SHEET 1 OF 1