

6

5

4

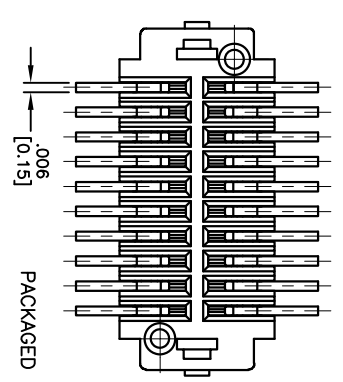
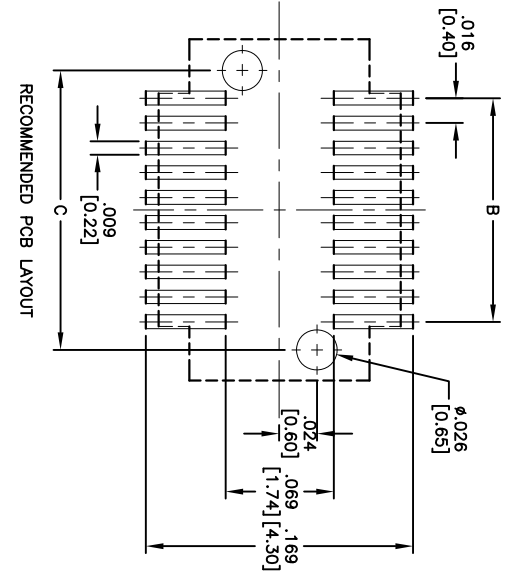
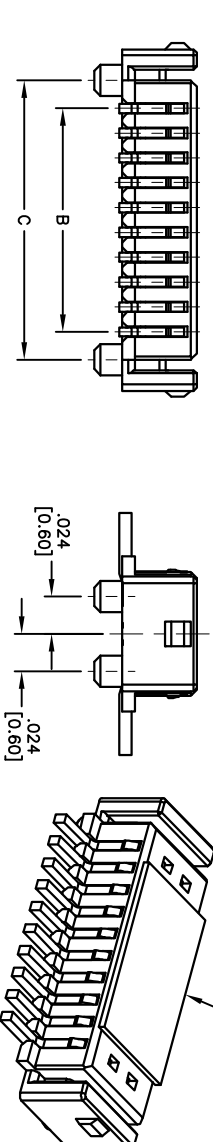
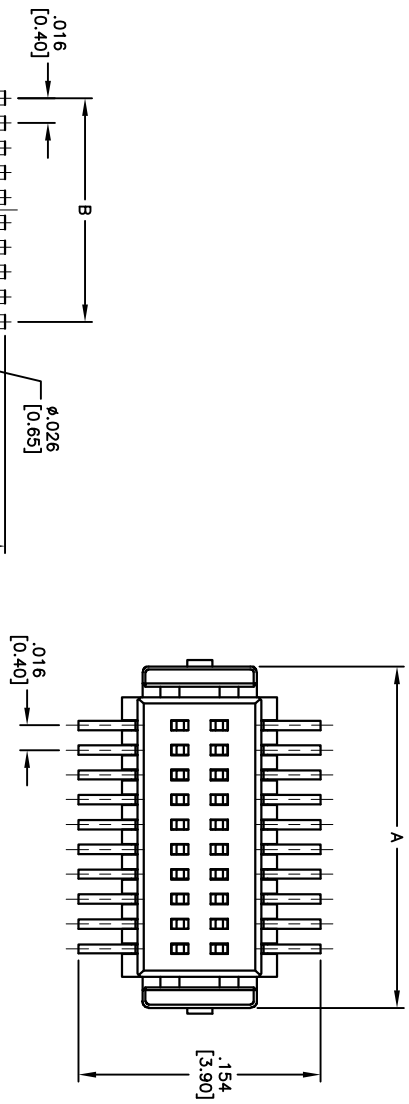
3

2

1

APPROVED: \_\_\_\_\_  
 DATE: \_\_\_\_\_ TITLE: \_\_\_\_\_

Rev	AWO #	Description	Date	Appr
-		RELEASED	12/02/10	
A		REDRAWN	7/11/12	



PACKAGED ON TAPE & REEL  
 Positions: 10 thru 50  
 A = .016 [0.40] x (No. of Contacts per row - 1) + .077 [1.95]  
 B = .016 [0.40] x (No. of Contacts per row - 1)  
 C = .016 [0.40] x (No. of Contacts per row - 1) + .035 [0.90]

SPECIFICATIONS:  
 Material:  
 Insulator: Hi-temp thermoplastic, rated UL 94V-0  
 Insulator color: Natural  
 Contacts: Copper Alloy  
 Hold down: Copper Alloy  
 Plating:  
 Gold flash over Nickel underplate overall.  
 Electrical:  
 Voltage rating: 50 VAC/DC  
 Current rating: 0.5A AC/DC  
 Dielectric withstanding voltage: 250 VAC for 1 minute  
 Temperature Rating:  
 Operating temperature: -25°C to +70°C  
 Environmental:  
 Lead free, RoHS compliant



UNLESS OTHERWISE SPECIFIED  
 ALL DIMENSIONS ARE INCHES [MM]  
 TOLERANCES: EXCEPT AS NOTED

INCHES		HOLES [MM]	
.X	± .10	Ø.X	± .10
.XX	± .020	Ø.XXX	± .015
.XXX	± .015	Ø.XXX	± .010

APPROVALS: \_\_\_\_\_ DATE: \_\_\_\_\_

**ADAM TECH**  
 909 Rahway Avenue, Union, NJ 07083  
 Phone: 908-687-5000 Fax: 908-687-5710

TITLE: .016 [0.40] BOARD TO BOARD PLUG, SMT TYPE  
 1.25 MM HEIGHT, STACKING HEIGHT=1.5MM

DRAWN: DY 12/02/10  
 CHECKED: \_\_\_\_\_  
 APPROVED: \_\_\_\_\_

SIZE: X  
 PART NO.: BB4PE-XX-G-1.25-T/R  
 REF: S00128T  
 SCALE: NTS  
 SHEET 1 OF 1

6

5

4

3

2

1