

Rev	AWO #	Description	Date	Appr
-		RELEASED	1/27/15	

6

5

4

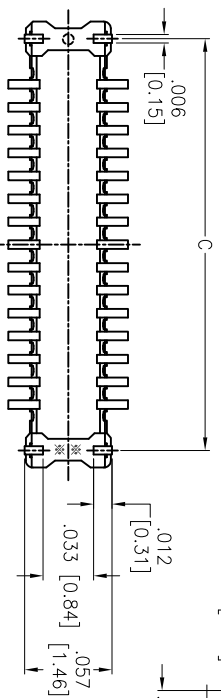
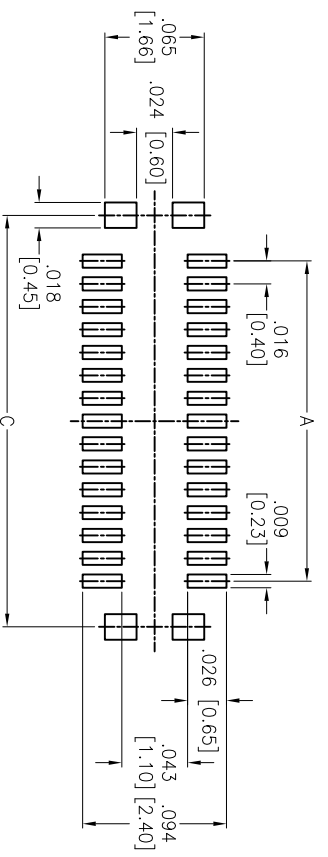
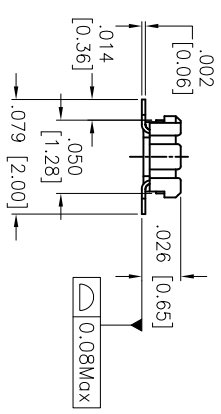
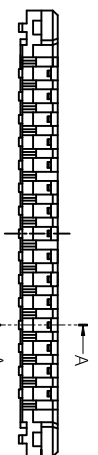
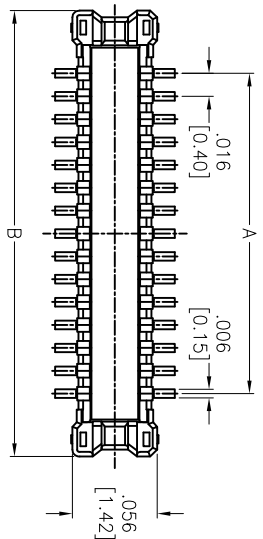
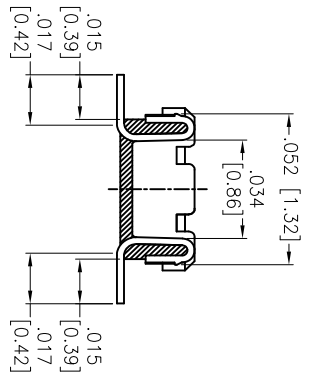
3

2

1

APPROVED: \_\_\_\_\_

DATE: \_\_\_\_\_ TITLE: \_\_\_\_\_



**SPECIFICATIONS:**

- Material: Insulator: Hi-Temp Thermoplastic, rated UL 94V-0
- Insulator color: Black
- Contacts: Phosphor Bronze
- Plating: Gold flash over Nickel underplate overall
- Electrical: Operating voltage: 60 VAC
- Current rating: 0.3 A per Pin (All pins 5A max)
- Contact resistance: 60 mohms max.
- Insulation resistance: 1,000 Mohms min. @ 250 VDC
- Dielectric withstanding voltage: 250 VAC for 1 minute
- Temperature Rating: Operating temperature: -55°C to +85°C
- Environmental: Lead free, RoHS compliant

**PACKAGED ON TAPE & REEL**

- Positions: 10, 12, 16, 24, 30, 34, 40
- A = .016 [0.40] x No. of Space
- B = .016 [0.40] x No. of Positions per Row + .071 [1.80]
- C = .016 [0.40] x No. of Positions per Row + .047 [1.20]

**ADAM TECH**

909 Railway Avenue, Union, NJ 07083  
 Phone: 908-687-5000 Fax: 908-687-5710

TITLE: .016 [0.40] BOARD TO BOARD PLUG  
 SURFACE MOUNT, 0.65MM HEIGHT

UNLESS OTHERWISE SPECIFIED ALL DIMENSIONS ARE INCHES [MM]	
TOLERANCES: EXCEPT AS NOTED	
INCHES	HOLDS
.X ± .10	± .10
.XX ± .020	± .015
.XXX ± .015	± .010
.XXX ± .010	± .010
APPROVALS	
DRAWN	HR
CHECKED	CH
APPROVED	DATE
	1/27/15
	1/27/15

SIZE	PART NO.	REV.
X	BB4-PLK-XX-G-0.65-NP-T/R	-
REF:	SCALE: NTS	SHEET 1 OF 1
S00153T		

6

5

4

3

2

1

