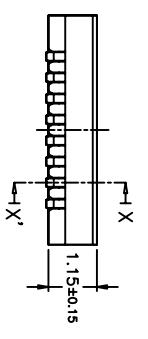
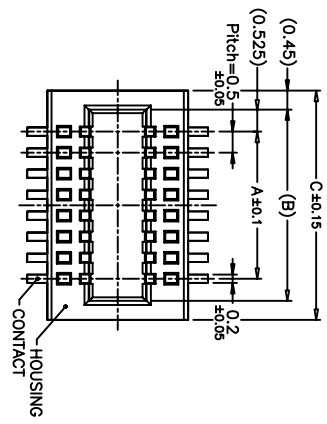
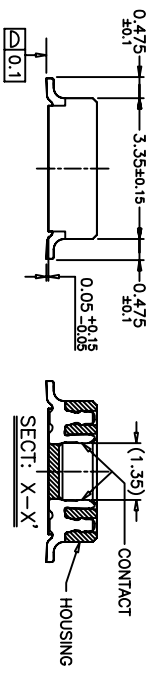


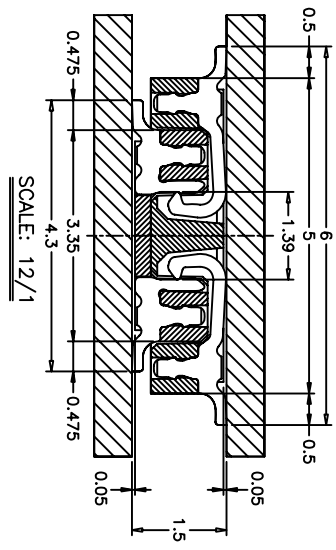
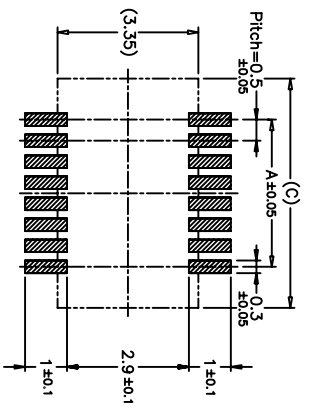
APPROVED: \_\_\_\_\_  
 DATE: \_\_\_\_\_ TITLE: \_\_\_\_\_



PCB Layout



MATED DRAWING(REF.)



SPECIFICATIONS:  
 Material: Insulator: Hi-Temp thermoplastic, rated UL 94V-0  
 Insulator color: Natural  
 Contacts: Phosphor Bronze  
 Plating: Gold over Nickel underplate overall  
 Electrical: Operating voltage: 50V AC/DC max.  
 Current rating: 0.5 Amps max.  
 Contact resistance: 40 Mohms max. initial  
 Insulation resistance: 100 Mohms min.  
 Dielectric withstanding voltage: 250 VAC for 1 minute  
 Temperature Rating: Operating temperature: -25°C to +85°C  
 Environmental: Lead free, RoHS compliant  
 Recommended soldering temp: 260°C for 5 seconds

Rev	AWO #	Description	Date	Appr
-		RELEASED	8/17/06	

No. of Contacts	Part Number	DIM.		
		A	B	C
10	BB5-P-10-1	2	3.05	3.95
12	BB5-P-12-1	2.5	3.35	4.45
14	BB5-P-14-1	3	4.05	4.95
16	BB5-P-16-1	3.5	4.55	5.45
18	BB5-P-18-1	4	5.05	5.95
20	BB5-P-20-1	4.5	5.55	6.45
22	BB5-P-22-1	5	6.05	6.95
24	BB5-P-24-1	5.5	6.55	7.45
26	BB5-P-26-1	6	7.05	7.95
28	BB5-P-28-1	6.5	7.55	8.45
30	BB5-P-30-1	7	8.05	8.95
32	BB5-P-32-1	7.5	8.55	9.45
34	BB5-P-34-1	8	9.05	9.95
36	BB5-P-36-1	8.5	9.55	10.45
38	BB5-P-38-1	9	10.05	10.95
40	BB5-P-40-1	9.5	10.55	11.45
42	BB5-P-42-1	10	11.05	11.95
44	BB5-P-44-1	10.5	11.55	12.45
46	BB5-P-46-1	11	12.05	12.95
48	BB5-P-48-1	11.5	12.55	13.45
50	BB5-P-50-1	12	13.05	13.95
52	BB5-P-52-1	12.5	13.55	14.45
54	BB5-P-54-1	13	14.05	14.95
56	BB5-P-56-1	13.5	14.55	15.45
58	BB5-P-58-1	14	15.05	15.95
60	BB5-P-60-1	14.5	15.55	16.45
62	BB5-P-62-1	15	16.05	16.95
64	BB5-P-64-1	15.5	16.55	17.45
66	BB5-P-66-1	16	17.05	17.95
68	BB5-P-68-1	16.5	17.55	18.45
70	BB5-P-70-1	17	18.05	18.95
72	BB5-P-72-1	17.5	18.55	19.45
74	BB5-P-74-1	18	19.05	19.95
76	BB5-P-76-1	18.5	19.55	20.45
78	BB5-P-78-1	19	20.05	20.95
80	BB5-P-80-1	19.5	20.55	21.45
82	BB5-P-82-1	20	21.05	21.95
84	BB5-P-84-1	20.5	21.55	22.45
86	BB5-P-86-1	21	22.05	22.95
88	BB5-P-88-1	21.5	22.55	23.45
90	BB5-P-90-1	22	23.05	23.95
92	BB5-P-92-1	22.5	23.55	24.45
94	BB5-P-94-1	23	24.05	24.95
96	BB5-P-96-1	23.5	24.55	25.45
98	BB5-P-98-1	24	25.05	25.95
100	BB5-P-100-1	24.5	25.55	26.45

**ADAM TECH**  
 909 Railway Avenue, Union, NJ 07083  
 Phone: 908-687-5000 Fax: 908-687-5710

019610.501 BOARD TO BOARD PLUG  
 SURFACE MOUNT

UNLESS OTHERWISE SPECIFIED ALL DIMENSIONS ARE IN INCHES [MM]	
TOLERANCES: EXCEPT AS NOTED	
INCHES	HOLDS
.X ±.10	ØX ±.10
.XX ±.020	ØXX ±.015
.XXX ±.015	ØXXX ±.010
APPROVALS	DATE
DRAWN	SS
CHECKED	
APPROVED	

SIZE	PART NO.	REV.
X	BB5-P-XX-1	-
REF:	SCALE: NTS	SHEET 1 OF 1

