

6

5

4

3

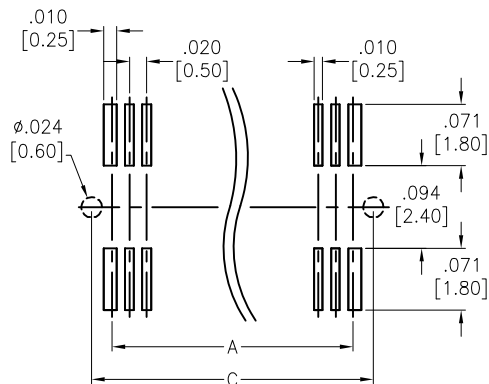
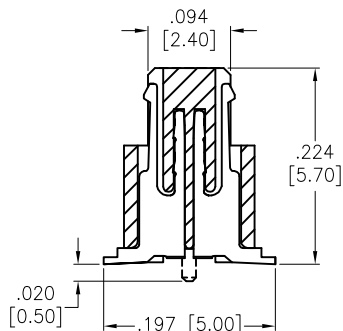
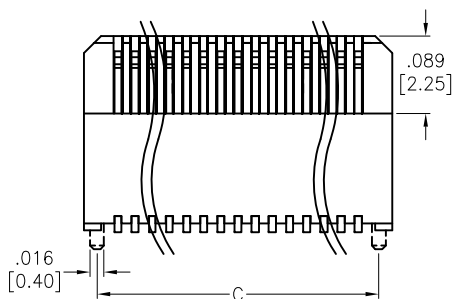
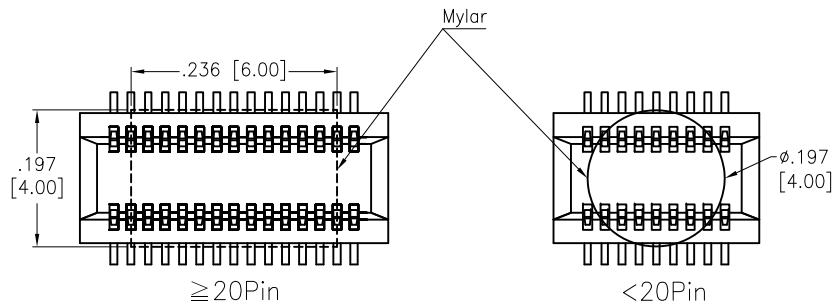
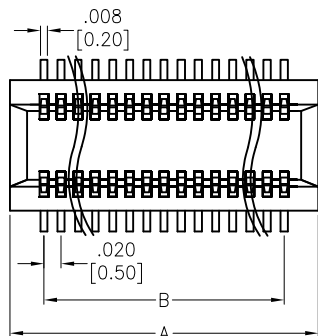
2

1

APPROVED: \_\_\_\_\_

DATE: \_\_\_\_\_ TITLE: \_\_\_\_\_

Rev	AWO #	Description	Date	Appr
-		RELEASED	01/06/12	



RECOMMENDED PCB LAYOUT

SPECIFICATIONS:

Material:  
 Insulator: Nylon9T, rated UL 94V-0  
 Insulator color: White  
 Contacts: Phosphor Bronze  
 Plating:  
 Gold flash over Nickel underplate overall  
 Electrical:  
 Operating voltage: 50 VAC max.  
 Current rating: 0.5 Amps max.  
 Contact resistance: 60 mohms max. initial  
 Insulation resistance: 100 Mohms min.  
 Dielectric withstanding voltage: 500 VAC for 1 minute  
 Environmental:  
 Lead free, RoHS compliant



Positions: 10 Thru 120

A = .020 [0.50] x Spaces per row + .078 [1.98]

B = .020 [0.50] x Spaces per row

C = B + .047 [1.20]

UNLESS OTHERWISE SPECIFIED ALL DIMENSIONS ARE INCHES [MM] TOLERANCES: EXCEPT AS NOTED		<b>ADAM TECH</b> 909 Rahway Avenue, Union, NJ 07083 Phone: 908-687-5000 Fax: 908-687-5710	
INCHES		HOLES	
.X ± .10	∅X ± .10	TITLE .020 [0.50] BOARD TO BOARD PLUG 5.70MM HEIGHT, SMT TYPE, MYLAR	
.XX ± .020	∅XX ± .015		
.XXX ± .015	∅XXX ± .010		
APPROVALS		DATE	
DRAWN	TW	01/06/12	
CHECKED	AY	01/06/12	
APPROVED			
SIZE X	PART NO. BB5-PM1-XXX-G-5.70-KT-T/R	REV. -	
REF: S00206T	SCALE: NTS	SHEET 1 OF 1	

6

5

4

3

2

1