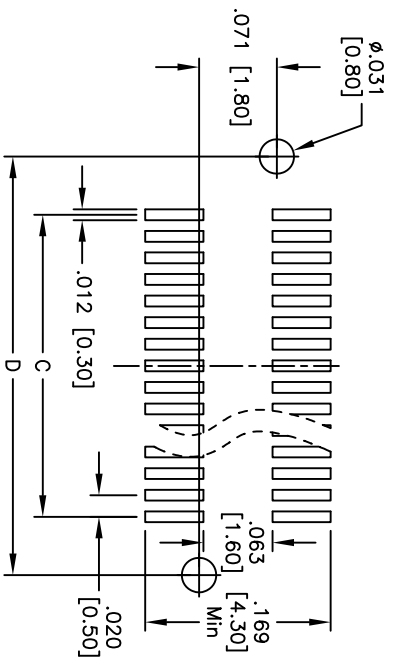
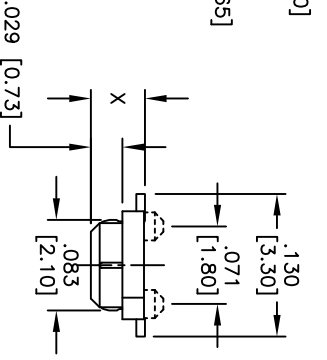
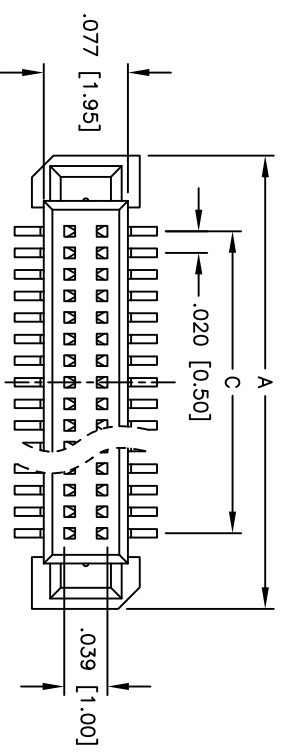
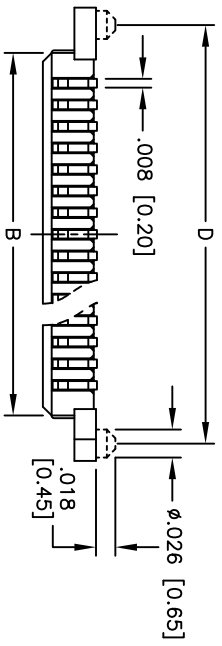
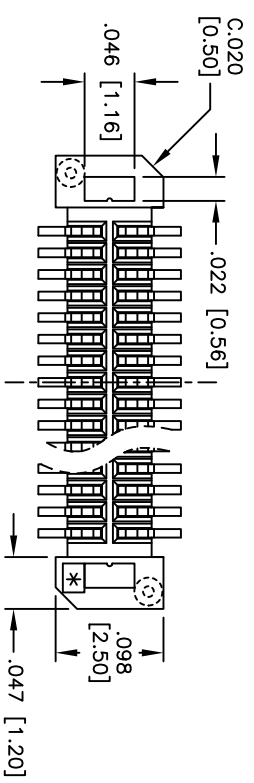


Rev	AWO #	Description	Date	Appr
-		RELEASED	11/30/10	

APPROVED: \_\_\_\_\_  
 DATE: \_\_\_\_\_ TITLE: \_\_\_\_\_



RECOMMENDED PCB LAYOUT

ADAM P/N	X
BB5-POA-XXX-G-1.25-T/R	.049 [1.25]
BB5-POA-XXX-G-1.75-T/R	.069 [1.75]

PACKAGED ON TAPE & REEL

Positions: 10, 12, 14, 16, 18, 20, 22, 24, 26, 30, 34, 40,  
 50, 60, 70, 72, 80, 90, 100  
 A = .016 [0.40] x No. of Positions/2 + .118 [3.00]  
 B = .016 [0.40] x No. of Positions/2 + .035 [0.90]  
 C = .016 [0.40] x No. of Positions/2 - .016 [0.40]  
 D = .016 [0.40] x No. of Positions/2 + .087 [2.20]

**ADAM TECH**

909 Rahway Avenue, Union, NJ 07083  
 Phone: 908-687-5000 Fax: 908-687-5710

.020 [0.50] BOARD TO BOARD MALE PLUG  
 SURFACE MOUNT

SPECIFICATIONS:

Material: Hi-Temp thermoplastic, rated UL 94V-0  
 Insulator color: Natural  
 Contacts: Phosphor Bronze  
 Plating:  
 Gold over Nickel underplate overall

Electrical:

Current rating: 0.5 Amps.  
 Contact resistance: 60 mohms max. @ DC 100mA.  
 Insulation resistance: 100 Mohms min. @ DC 500V  
 Dielectric withstanding voltage: 150 VAC for 1 minute  
 Temperature Rating:  
 Operating temperature: -25°C to +85°C  
 Environmental:  
 Lead free, RoHS compliant



Recommended soldering temp: 260°C for 5 seconds

UNLESS OTHERWISE SPECIFIED	
ALL DIMENSIONS ARE MM	
TOLERANCES: EXCEPT AS NOTED	
INCHES	
.X	± .10
.XX	± .020
.XXX	± .015
.XXX	± .010
ØXX	± .10
ØXXX	± .015
ØXXX	± .010
DRAWN	DATE
DRY	11/30/10
CHECKED	APPROVALS
APPROVED	DATE

SIZE	PART NO.	REV.
X	BB5-POA-XXX-G-X-XX-T/R	-
REF: S0008T	SCALE: NTS	SHEET 1 OF 1