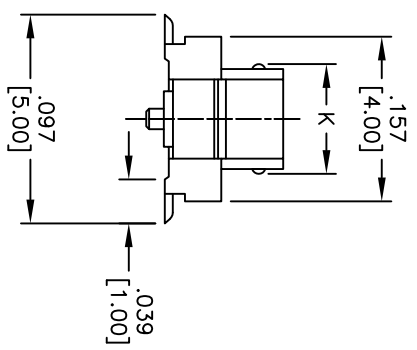
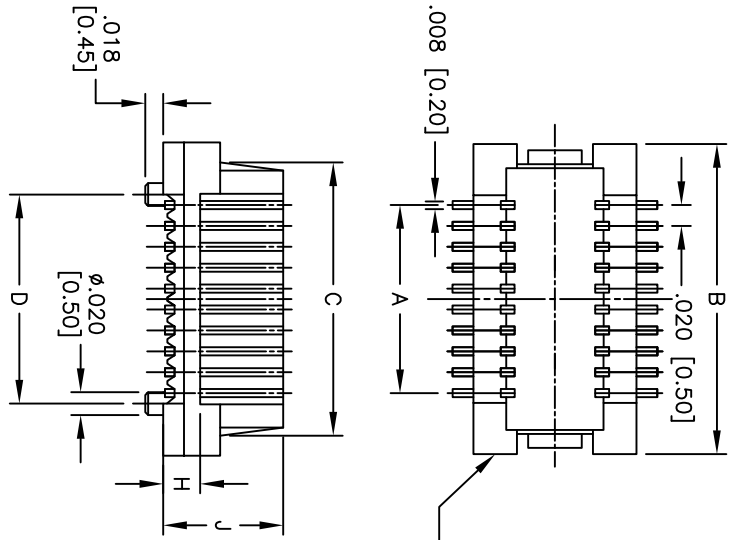
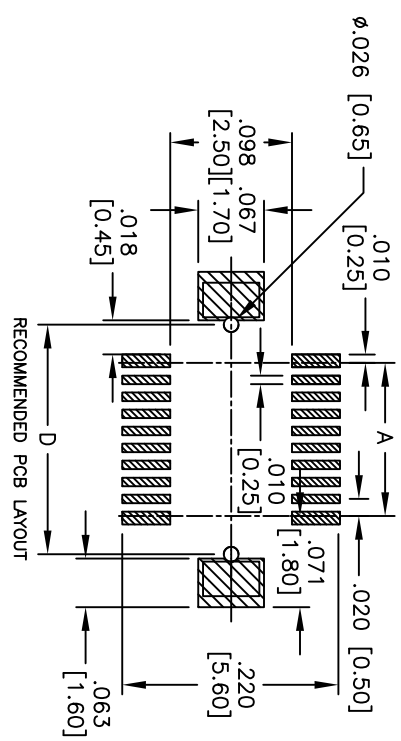
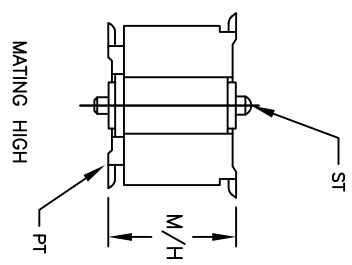


Rev	AWO #	Description	Date	Appr
-		RELEASED	8/23/10	

APPROVED: \_\_\_\_\_  
 DATE: \_\_\_\_\_ TITLE: \_\_\_\_\_



Mating Height	Dim. H	Dim. J	Dim. K
.079 [2.00]	.020 [0.50]	.064 [1.62]	
.098 [2.50]		.079 [2.00]	
.118 [3.00]			
.138 [3.50]			
.157 [4.00]			
.187 [5.00]	.039 [1.00]	.118 [3.00]	.102 [2.60]
.236 [6.00]			
.276 [7.00]			
.315 [8.00]			
.354 [9.00]			
.394 [10.00]			
.433 [11.00]			
.472 [12.00]			
.512 [13.00]			
.551 [14.50]			
.591 [15.00]			
.630 [16.00]			
.669 [17.00]			
.692 [17.50]			
.731 [18.50]			
.771 [19.50]			
.810 [20.50]			
.850 [21.50]			
.889 [22.50]			
	.295 [7.50]	.413 [10.50]	.100 [2.5-4]

PACKAGED ON TAPE & REEL

SPECIFICATIONS:  
 Material: Insulator: Hi-Temp thermoplastic, rated UL 94V-0  
 Insulator color: Black  
 Contacts: Copper Alloy  
 Plating: Gold flash over Nickel underplate on mating area, Tin over Copper underplate on tails

Electrical:  
 Operating voltage: 50 VAC max.  
 Current rating: 0.5 Amps max.  
 Contact resistance: 30 mohms max. initial  
 Insulation resistance: 100 Mohms min@ 100V DC  
 Dielectric withstanding voltage: 100 VAC for 1 minute

Temperature Rating:  
 Operating temperature: -20°C to +105°C  
 Environmental:  
 Lead free, RoHS compliant  
 Recommended soldering temp: 260°C for 5 seconds



Position: 10~98, 100, 110, 120, 130, 140, 150, 160  
 A = .020 [0.50] x (No. of Contacts/2 - 1) + .118 [3.00]  
 B = .020 [0.50] x (No. of Contacts/2 - 1) + .079 [2.00]  
 C = .020 [0.50] x (No. of Contacts/2 - 1) + .079 [2.00]  
 D = .020 [0.50] x (No. of Contacts/2 - 1) + .020 [0.50]

UNLESS OTHERWISE SPECIFIED  
 ALL DIMENSIONS ARE IN INCHES [MM]  
 TOLERANCES: EXCEPT AS NOTED  
 INCHES: .X ± .10 ØXX ± .10  
 .XX ± .020 ØXXX ± .015  
 .XXX ± .015 ØXXXX ± .010

**ADAM TECH**  
 909 Rahway Avenue, Union, NJ 07083  
 Phone: 908-687-5000 Fax: 908-687-5710  
 .020 [0.50] BOARD TO BOARD SOCKET  
 SMT TYPE

DRAWN	AY	8/23/10	SIZE	PART NO.	REV.
CHECKED	AW	8/23/10	X	BB5-PT-XXX-SG-XX-XX-TR	-
APPROVED			REF: S0014TT	SCALE: NTS	SHEET 1 OF 1