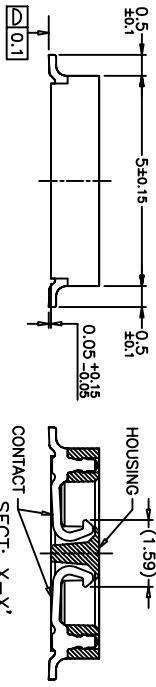
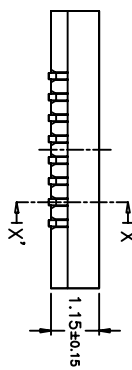
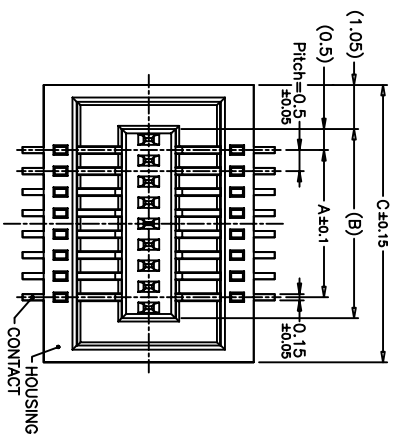
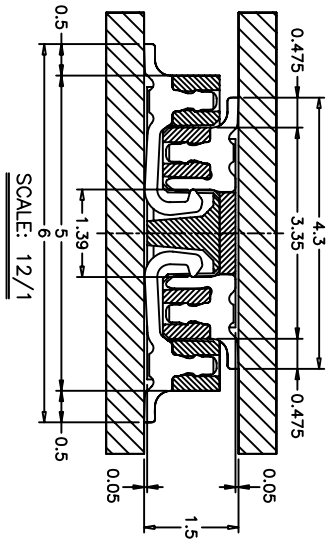
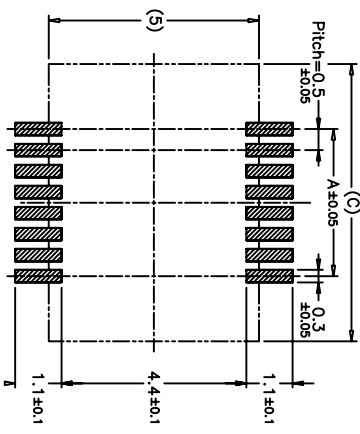


Rev	AWO #	Description	Date	Appr
-		RELEASED	8/17/06	

APPROVED: \_\_\_\_\_  
 DATE: \_\_\_\_\_ TITLE: \_\_\_\_\_



MATED DRAWING(REF.)



SPECIFICATIONS:  
 Material: Insulator: Hi-Temp thermoplastic, rated UL 94V-0  
 Insulator color: Natural  
 Contacts: Phosphor Bronze  
 Plating: Gold over Nickel underplate overall

Electrical:  
 Operating voltage: 50V AC/DC max.  
 Current rating: 0.5 Amps max.  
 Contact resistance: 40 Mohms max. initial  
 Insulation resistance: 100 Mohms min.  
 Dielectric withstanding voltage: 250 VAC for 1 minute  
 Temperature Rating:  
 Operating temperature: -25°C to +85°C  
 Environmental:  
 Lead free, RoHS compliant  
 Recommended soldering temp: 260°C for 5 seconds



No. of Contacts	Part Number	DIM. A	DIM. B	DIM. C	DIM. D
10	BB5-S-10-1	2	3	5.1	
12	BB5-S-12-1	2.5	3.5	5.6	
14	BB5-S-14-1	3	4	6.1	
16	BB5-S-16-1	3.5	4.5	6.6	
18	BB5-S-18-1	4	5	7.1	
20	BB5-S-20-1	4.5	5.5	7.6	
22	BB5-S-22-1	5	6	8.1	
24	BB5-S-24-1	5.5	6.5	8.6	
26	BB5-S-26-1	6	7	9.1	
28	BB5-S-28-1	6.5	7.5	9.6	
30	BB5-S-30-1	7	8	10.1	
32	BB5-S-32-1	7.5	8.5	10.6	
34	BB5-S-34-1	8	9	11.1	
36	BB5-S-36-1	8.5	9.5	11.6	
38	BB5-S-38-1	9	10	12.1	
40	BB5-S-40-1	9.5	10.5	12.6	
42	BB5-S-42-1	10	11	13.1	
44	BB5-S-44-1	10.5	11.5	13.6	
46	BB5-S-46-1	11	12	14.1	
48	BB5-S-48-1	11.5	12.5	14.6	
50	BB5-S-50-1	12	13	15.1	
52	BB5-S-52-1	12.5	13.5	15.6	
54	BB5-S-54-1	13	14	16.1	
56	BB5-S-56-1	13.5	14.5	16.6	
58	BB5-S-58-1	14	15	17.1	
60	BB5-S-60-1	14.5	15.5	17.6	
62	BB5-S-62-1	15	16	18.1	
64	BB5-S-64-1	15.5	16.5	18.6	
66	BB5-S-66-1	16	17	19.1	
68	BB5-S-68-1	16.5	17.5	19.6	
70	BB5-S-70-1	17	18	20.1	
72	BB5-S-72-1	17.5	18.5	20.6	
74	BB5-S-74-1	18	19	21.1	
76	BB5-S-76-1	18.5	19.5	21.6	
78	BB5-S-78-1	19	20	22.1	
80	BB5-S-80-1	19.5	20.5	22.6	
82	BB5-S-82-1	20	21	23.1	
84	BB5-S-84-1	20.5	21.5	23.6	
86	BB5-S-86-1	21	22	24.1	
88	BB5-S-88-1	21.5	22.5	24.6	
90	BB5-S-90-1	22	23	25.1	
92	BB5-S-92-1	22.5	23.5	25.6	
94	BB5-S-94-1	23	24	26.1	
96	BB5-S-96-1	23.5	24.5	26.6	
98	BB5-S-98-1	24	25	27.1	
100	BB5-S-100-1	24.5	25.5	27.6	

**ADAM TECH**

909 Rahway Avenue, Union, NJ 07083  
 Phone: 908-687-5000 Fax: 908-687-5710

TITLE: .0196 [0.50] BOARD TO BOARD SOCKET SURFACE MOUNT

UNLESS OTHERWISE SPECIFIED ALL DIMENSIONS ARE INCHES [MM]	
TOLERANCES: EXCEPT AS NOTED	
INCHES	HOLDS
.X ± .10	ØXX ± .10
.XX ± .020	ØXXX ± .015
.XXX ± .015	ØXXXX ± .010
APPROVALS	DATE
DRAWN	SS
CHECKED	
APPROVED	

SIZE	PART NO.	REV.
X	BB5-S-XX-1	-
REF:	SCALE: NTS	SHEET 1 OF 1