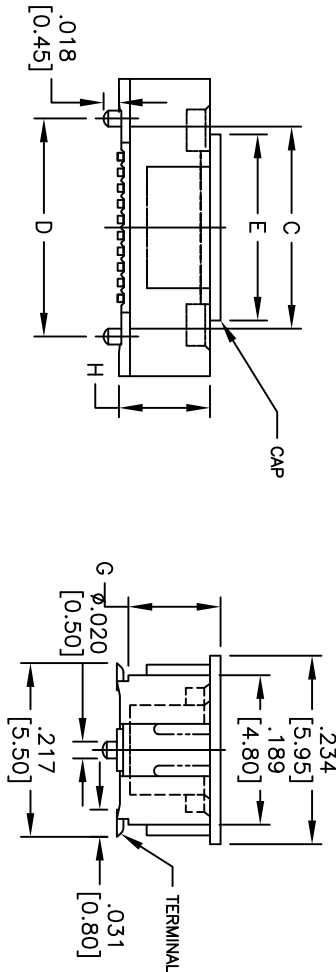
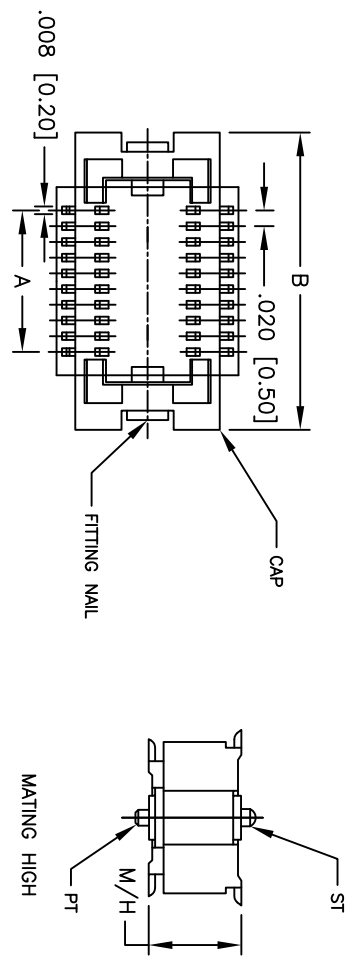
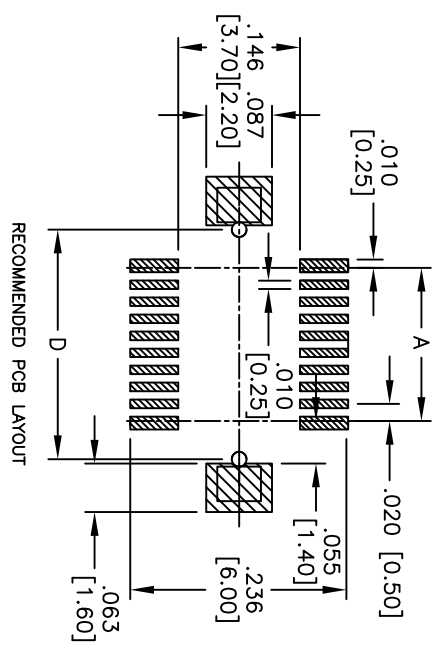


| | | | | |
|-----|-------|-------------|---------|------|
| Rev | AWO # | Description | Date | Appr |
| - | | RELEASED | 8/23/10 | |

APPROVED: _____
 DATE: _____ TITLE: _____



PACKAGED ON TAPE & REEL



| Mating Height | Height of Male Dim. H | Dim. G |
|----------------|-----------------------|----------------|
| .079 [2.00] | .059 [1.50] | .047 [1.20] |
| .098 [2.50] | .079 [2.00] | .059 [1.50] |
| .118 [3.00] | .098 [2.50] | .079 [2.00] |
| .138 [3.50] | .118 [3.00] | .098 [2.50] |
| .157 [4.00] | .138 [3.50] | .118 [3.00] |
| .197 [5.00] | .157 [4.00] | .138 [3.00] |
| .236 [6.00] | .197 [5.00] | .157 [4.00] |
| .276 [7.00] | .236 [6.00] | .197 [5.00] |
| .315 [8.00] | .276 [7.00] | .236 [6.00] |
| .354 [9.00] | .315 [8.00] | .276 [7.00] |
| .394 [10.00] | .354 [9.00] | .315 [8.00] |
| .433 [11.00] | .394 [10.00] | .354 [9.00] |
| .472 [12.00] | .433 [11.00] | .394 [10.00] |
| .512 [13.00] | .472 [12.00] | .433 [11.00] |
| .551 [14.00] | .512 [13.00] | .472 [12.00] |
| .591 [15.00] | .551 [14.00] | .512 [13.00] |
| .630 [16.00] | .591 [15.00] | .551 [14.00] |
| .669 [17.00] | .630 [16.00] | .591 [15.00] |
| .709 [18.00] | .669 [17.00] | .630 [16.00] |
| .748 [19.00] | .709 [18.00] | .669 [17.00] |
| .788 [20.00] | .748 [19.00] | .709 [18.00] |
| .827 [21.00] | .788 [20.00] | .748 [19.00] |
| .867 [22.00] | .827 [21.00] | .788 [20.00] |
| .906 [23.00] | .867 [22.00] | .827 [21.00] |
| .946 [24.00] | .906 [23.00] | .867 [22.00] |
| .985 [25.00] | .946 [24.00] | .906 [23.00] |
| 1.025 [26.00] | .985 [25.00] | .946 [24.00] |
| 1.064 [27.00] | 1.025 [26.00] | .985 [25.00] |
| 1.104 [28.00] | 1.064 [27.00] | 1.025 [26.00] |
| 1.143 [29.00] | 1.104 [28.00] | 1.064 [27.00] |
| 1.183 [30.00] | 1.143 [29.00] | 1.104 [28.00] |
| 1.222 [31.00] | 1.183 [30.00] | 1.143 [29.00] |
| 1.262 [32.00] | 1.222 [31.00] | 1.183 [30.00] |
| 1.301 [33.00] | 1.262 [32.00] | 1.222 [31.00] |
| 1.341 [34.00] | 1.301 [33.00] | 1.262 [32.00] |
| 1.380 [35.00] | 1.341 [34.00] | 1.301 [33.00] |
| 1.420 [36.00] | 1.380 [35.00] | 1.341 [34.00] |
| 1.459 [37.00] | 1.420 [36.00] | 1.380 [35.00] |
| 1.499 [38.00] | 1.459 [37.00] | 1.420 [36.00] |
| 1.538 [39.00] | 1.499 [38.00] | 1.459 [37.00] |
| 1.578 [40.00] | 1.538 [39.00] | 1.499 [38.00] |
| 1.617 [41.00] | 1.578 [40.00] | 1.538 [39.00] |
| 1.656 [42.00] | 1.617 [41.00] | 1.578 [40.00] |
| 1.696 [43.00] | 1.656 [42.00] | 1.617 [41.00] |
| 1.735 [44.00] | 1.696 [43.00] | 1.656 [42.00] |
| 1.775 [45.00] | 1.735 [44.00] | 1.696 [43.00] |
| 1.814 [46.00] | 1.775 [45.00] | 1.735 [44.00] |
| 1.853 [47.00] | 1.814 [46.00] | 1.775 [45.00] |
| 1.893 [48.00] | 1.853 [47.00] | 1.814 [46.00] |
| 1.932 [49.00] | 1.893 [48.00] | 1.853 [47.00] |
| 1.972 [50.00] | 1.932 [49.00] | 1.893 [48.00] |
| 2.011 [51.00] | 1.972 [50.00] | 1.932 [49.00] |
| 2.050 [52.00] | 2.011 [51.00] | 1.972 [50.00] |
| 2.090 [53.00] | 2.050 [52.00] | 2.011 [51.00] |
| 2.129 [54.00] | 2.090 [53.00] | 2.050 [52.00] |
| 2.169 [55.00] | 2.129 [54.00] | 2.090 [53.00] |
| 2.208 [56.00] | 2.169 [55.00] | 2.129 [54.00] |
| 2.247 [57.00] | 2.208 [56.00] | 2.169 [55.00] |
| 2.287 [58.00] | 2.247 [57.00] | 2.208 [56.00] |
| 2.326 [59.00] | 2.287 [58.00] | 2.247 [57.00] |
| 2.366 [60.00] | 2.326 [59.00] | 2.287 [58.00] |
| 2.405 [61.00] | 2.366 [60.00] | 2.326 [59.00] |
| 2.444 [62.00] | 2.405 [61.00] | 2.366 [60.00] |
| 2.484 [63.00] | 2.444 [62.00] | 2.405 [61.00] |
| 2.523 [64.00] | 2.484 [63.00] | 2.444 [62.00] |
| 2.563 [65.00] | 2.523 [64.00] | 2.484 [63.00] |
| 2.602 [66.00] | 2.563 [65.00] | 2.523 [64.00] |
| 2.641 [67.00] | 2.602 [66.00] | 2.563 [65.00] |
| 2.681 [68.00] | 2.641 [67.00] | 2.602 [66.00] |
| 2.720 [69.00] | 2.681 [68.00] | 2.641 [67.00] |
| 2.760 [70.00] | 2.720 [69.00] | 2.681 [68.00] |
| 2.799 [71.00] | 2.760 [70.00] | 2.720 [69.00] |
| 2.838 [72.00] | 2.799 [71.00] | 2.760 [70.00] |
| 2.878 [73.00] | 2.838 [72.00] | 2.799 [71.00] |
| 2.917 [74.00] | 2.878 [73.00] | 2.838 [72.00] |
| 2.957 [75.00] | 2.917 [74.00] | 2.878 [73.00] |
| 2.996 [76.00] | 2.957 [75.00] | 2.917 [74.00] |
| 3.035 [77.00] | 2.996 [76.00] | 2.957 [75.00] |
| 3.075 [78.00] | 3.035 [77.00] | 2.996 [76.00] |
| 3.114 [79.00] | 3.075 [78.00] | 3.035 [77.00] |
| 3.154 [80.00] | 3.114 [79.00] | 3.075 [78.00] |
| 3.193 [81.00] | 3.154 [80.00] | 3.114 [79.00] |
| 3.232 [82.00] | 3.193 [81.00] | 3.154 [80.00] |
| 3.272 [83.00] | 3.232 [82.00] | 3.193 [81.00] |
| 3.311 [84.00] | 3.272 [83.00] | 3.232 [82.00] |
| 3.351 [85.00] | 3.311 [84.00] | 3.272 [83.00] |
| 3.390 [86.00] | 3.351 [85.00] | 3.311 [84.00] |
| 3.429 [87.00] | 3.390 [86.00] | 3.351 [85.00] |
| 3.469 [88.00] | 3.429 [87.00] | 3.390 [86.00] |
| 3.508 [89.00] | 3.469 [88.00] | 3.429 [87.00] |
| 3.548 [90.00] | 3.508 [89.00] | 3.469 [88.00] |
| 3.587 [91.00] | 3.548 [90.00] | 3.508 [89.00] |
| 3.626 [92.00] | 3.587 [91.00] | 3.548 [90.00] |
| 3.666 [93.00] | 3.626 [92.00] | 3.587 [91.00] |
| 3.705 [94.00] | 3.666 [93.00] | 3.626 [92.00] |
| 3.745 [95.00] | 3.705 [94.00] | 3.666 [93.00] |
| 3.784 [96.00] | 3.745 [95.00] | 3.705 [94.00] |
| 3.823 [97.00] | 3.784 [96.00] | 3.745 [95.00] |
| 3.863 [98.00] | 3.823 [97.00] | 3.784 [96.00] |
| 3.902 [99.00] | 3.863 [98.00] | 3.823 [97.00] |
| 3.942 [100.00] | 3.902 [99.00] | 3.863 [98.00] |
| 3.981 [101.00] | 3.942 [100.00] | 3.902 [99.00] |
| 4.020 [102.00] | 3.981 [101.00] | 3.942 [100.00] |
| 4.060 [103.00] | 4.020 [102.00] | 3.981 [101.00] |
| 4.099 [104.00] | 4.060 [103.00] | 4.020 [102.00] |
| 4.138 [105.00] | 4.099 [104.00] | 4.060 [103.00] |
| 4.178 [106.00] | 4.138 [105.00] | 4.099 [104.00] |
| 4.217 [107.00] | 4.178 [106.00] | 4.138 [105.00] |
| 4.257 [108.00] | 4.217 [107.00] | 4.178 [106.00] |
| 4.296 [109.00] | 4.257 [108.00] | 4.217 [107.00] |
| 4.335 [110.00] | 4.296 [109.00] | 4.257 [108.00] |
| 4.375 [111.00] | 4.335 [110.00] | 4.296 [109.00] |
| 4.414 [112.00] | 4.375 [111.00] | 4.335 [110.00] |
| 4.454 [113.00] | 4.414 [112.00] | 4.375 [111.00] |
| 4.493 [114.00] | 4.454 [113.00] | 4.414 [112.00] |
| 4.532 [115.00] | 4.493 [114.00] | 4.454 [113.00] |
| 4.572 [116.00] | 4.532 [115.00] | 4.493 [114.00] |
| 4.611 [117.00] | 4.572 [116.00] | 4.532 [115.00] |
| 4.651 [118.00] | 4.611 [117.00] | 4.572 [116.00] |
| 4.690 [119.00] | 4.651 [118.00] | 4.611 [117.00] |
| 4.729 [120.00] | 4.690 [119.00] | 4.651 [118.00] |
| 4.769 [121.00] | 4.729 [120.00] | 4.690 [119.00] |
| 4.808 [122.00] | 4.769 [121.00] | 4.729 [120.00] |
| 4.848 [123.00] | 4.808 [122.00] | 4.769 [121.00] |
| 4.887 [124.00] | 4.848 [123.00] | 4.808 [122.00] |
| 4.926 [125.00] | 4.887 [124.00] | 4.848 [123.00] |
| 4.966 [126.00] | 4.926 [125.00] | 4.887 [124.00] |
| 5.005 [127.00] | 4.966 [126.00] | 4.926 [125.00] |
| 5.045 [128.00] | 5.005 [127.00] | 4.966 [126.00] |
| 5.084 [129.00] | 5.045 [128.00] | 5.005 [127.00] |
| 5.123 [130.00] | 5.084 [129.00] | 5.045 [128.00] |
| 5.163 [131.00] | 5.123 [130.00] | 5.084 [129.00] |
| 5.202 [132.00] | 5.163 [131.00] | 5.123 [130.00] |
| 5.242 [133.00] | 5.202 [132.00] | 5.163 [131.00] |
| 5.281 [134.00] | 5.242 [133.00] | 5.202 [132.00] |
| 5.320 [135.00] | 5.281 [134.00] | 5.242 [133.00] |
| 5.360 [136.00] | 5.320 [135.00] | 5.281 [134.00] |
| 5.399 [137.00] | 5.360 [136.00] | 5.320 [135.00] |
| 5.439 [138.00] | 5.399 [137.00] | 5.360 [136.00] |
| 5.478 [139.00] | 5.439 [138.00] | 5.399 [137.00] |
| 5.517 [140.00] | 5.478 [139.00] | 5.439 [138.00] |
| 5.557 [141.00] | 5.517 [140.00] | 5.478 [139.00] |
| 5.596 [142.00] | 5.557 [141.00] | 5.517 [140.00] |
| 5.635 [143.00] | 5.596 [142.00] | 5.557 [141.00] |
| 5.675 [144.00] | 5.635 [143.00] | 5.596 [142.00] |
| 5.714 [145.00] | 5.675 [144.00] | 5.635 [143.00] |
| 5.754 [146.00] | 5.714 [145.00] | 5.675 [144.00] |
| 5.793 [147.00] | 5.754 [146.00] | 5.714 [145.00] |
| 5.832 [148.00] | 5.793 [147.00] | 5.754 [146.00] |
| 5.872 [149.00] | 5.832 [148.00] | 5.793 [147.00] |
| 5.911 [150.00] | 5.872 [149.00] | 5.832 [148.00] |
| 5.951 [151.00] | 5.911 [150.00] | 5.872 [149.00] |
| 5.990 [152.00] | 5.951 [151.00] | 5.911 [150.00] |
| 6.029 [153.00] | 5.990 [152.00] | 5.951 [151.00] |
| 6.069 [154.00] | 6.029 [153.00] | 5.990 [152.00] |
| 6.108 [155.00] | 6.069 [154.00] | 6.029 [153.00] |
| 6.148 [156.00] | 6.108 [155.00] | 6.069 [154.00] |
| 6.187 [157.00] | 6.148 [156.00] | 6.108 [155.00] |
| 6.226 [158.00] | 6.187 [157.00] | 6.148 [156.00] |
| 6.266 [159.00] | 6.226 [158.00] | 6.187 [157.00] |
| 6.305 [160.00] | 6.266 [159.00] | 6.226 [158.00] |
| 6.345 [161.00] | 6.305 [160.00] | 6.266 [159.00] |
| 6.384 [162.00] | 6.345 [161.00] | 6.305 [160.00] |
| 6.423 [163.00] | 6.384 [162.00] | 6.345 [161.00] |
| 6.463 [164.00] | 6.423 [163.00] | 6.384 [162.00] |
| 6.502 [165.00] | 6.463 [164.00] | 6.423 [163.00] |
| 6.542 [166.00] | 6.502 [165.00] | 6.463 [164.00] |
| 6.581 [167.00] | 6.542 [166.00] | 6.502 [165.00] |
| 6.620 [168.00] | 6.581 [167.00] | 6.542 [166.00] |
| 6.660 [169.00] | 6.620 [168.00] | 6.581 [167.00] |
| 6.699 [170.00] | 6.660 [169.00] | 6.620 [168.00] |
| 6.739 [171.00] | 6.699 [170.00] | 6.660 [169.00] |
| 6.778 [172.00] | 6.739 [171.00] | 6.699 [170.00] |
| 6.817 [173.00] | 6.778 [172.00] | 6.739 [171.00] |
| 6.857 [174.00] | 6.817 [173.00] | 6.778 [172.00] |
| 6.896 [175.00] | 6.857 [174.00] | 6.817 [173.00] |
| 6.935 [176.00] | 6.896 [175.00] | 6.857 [174.00] |
| 6.975 [177.00] | 6.935 [176.00] | 6.896 [175.00] |
| 7.014 [178.00] | 6.975 [177.00] | 6.935 [176.00] |
| 7.054 [179.00] | 7.014 [178.00] | 6.975 [177.00] |
| 7.093 [180.00] | 7.054 [179.00] | 7.014 [178.00] |
| 7.132 [181.00] | 7.093 [180.00] | 7.054 [179.00] |
| 7.172 [182.00] | 7.132 [181.00] | 7.093 [180.00] |
| 7.211 [183.00] | 7.172 [182.00] | 7.132 [181.00] |
| 7.251 [184.00] | 7.211 [183.00] | 7.172 [182.00] |
| 7.290 [185.00] | 7.251 [184.00] | 7.211 [183.00] |
| 7.329 [186.00] | 7.290 [185.00] | 7.251 [184.00] |
| 7.369 [187.00] | 7.329 [186.00] | 7.290 [185.00] |
| 7.408 [188.00] | 7.369 [187.00] | 7.329 [186.00] |
| 7.448 [189.00] | 7.408 [188.00] | 7.369 [187.00] |
| 7.487 [190.00] | 7.448 [189.00] | 7.408 [188.00] |
| 7.526 [191.00] | 7.487 [190.00] | 7.448 [189.00] |
| 7.566 [192.00] | 7.526 [191.00] | 7.487 [190.00] |
| 7.605 [193.00] | 7.566 [192.00] | 7.526 [191.00] |
| 7.645 [194.00] | 7.605 [193.00] | 7.566 [192.00] |
| 7.684 [195.00] | 7.645 [194.00] | 7.605 [193.00] |
| 7.723 [196.00] | 7.684 [195.00] | 7.645 [194.00] |
| 7.763 [197.00] | 7.723 [196.00] | 7.684 [195.00] |
| 7.802 [198.00] | 7.763 [197.00] | 7.723 [196.00] |
| 7.842 [199.00] | 7.802 [198.00] | 7.763 [197.00] |
| 7.881 [200.00] | 7.842 [199.00] | 7.802 [198.00] |
| 7.920 [201.00] | 7.881 [200.00] | 7.842 [199.00] |
| 7.960 [202.00] | 7.920 [201.00] | 7.881 [200.00] |
| 7.999 [203.00] | 7.960 [202.00] | 7.920 [201.00] |
| 8.039 [204.00] | 7.999 [203.00] | 7.960 [202.00] |
| 8.078 [205.00] | 8.039 [204.00] | 7.999 [203.00] |
| 8.117 [206.00] | 8.078 [205.00] | 8.039 [204.00] |
| 8.157 [207.00] | 8.117 [206.00] | 8.078 [205.00] |
| 8.196 [208.00] | 8.157 [207.00] | 8.117 [206.00] |
| 8.235 [209.00] | 8.196 [208.00] | 8.157 [207.00] |
| 8.275 [210.00] | 8.235 [209.00] | 8.196 [208.00] |
| 8.314 [211.00] | 8.275 [210.00] | 8.235 [209.00] |
| 8.354 [212.00] | 8.314 [211.00] | 8.275 [210.00] |
| 8.393 [213.00] | 8.354 [212.00] | 8.314 [211 |