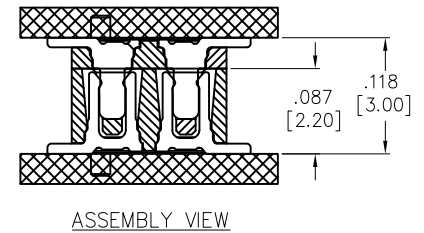
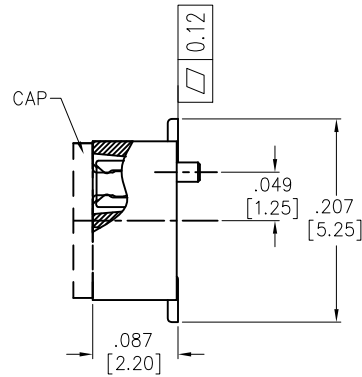
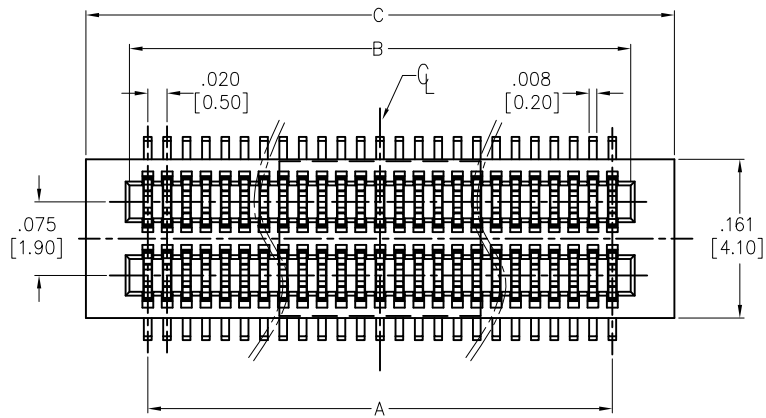
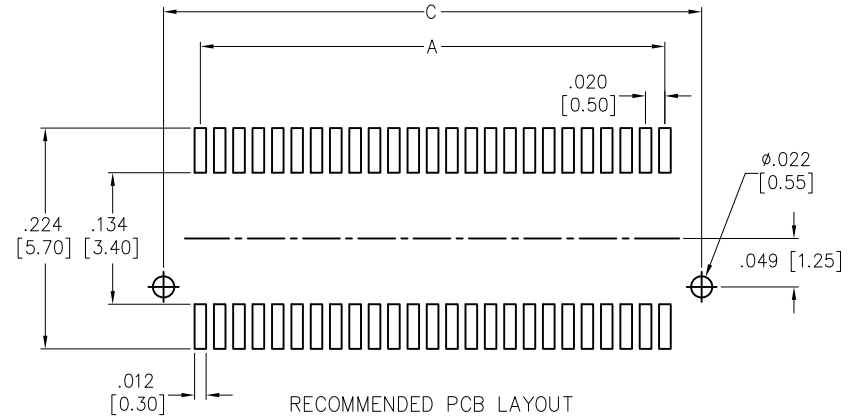
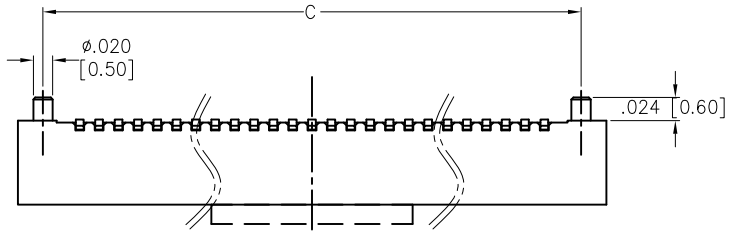


APPROVED: _____
 DATE: _____ TITLE: _____

Rev	AWO #	Description	Date	Appr
-		RELEASED	3/13/15	
A		UPDATE SPEC.	12/1/15	AY/GC



SPECIFICATIONS:

Material:
 Insulator: Hi-Temp Thermoplastic, rated UL 94V-0
 Insulator color: Natural
 Contacts: Phosphor Bronze
 Plating:
 Gold flash over Nickel underplate overall
 Electrical:
 Operating voltage: 50 VAC/DC
 Current rating: 0.5 A
 Contact resistance: 50 mohms max.
 Insulation resistance: 100 Mohms min.
 Temperature Rating:
 Operating temperature: -20°C to +105°C
 Environmental:
 Lead free, RoHS compliant



PACKAGED ON TAPE & REEL

Positions: 10, 12, 20, 30, 40, 60, 90, 100

A = .020 [0.50] x No. of Spaces

B = .020 [0.50] x No. of Spaces + .035 [0.88]

C = .020 [0.50] x No. of Spaces + .075 [1.90]

D = .020 [0.50] x No. of Spaces + .126 [3.20]

UNLESS OTHERWISE SPECIFIED
 ALL DIMENSIONS ARE INCHES [MM]
 TOLERANCES: EXCEPT AS NOTED

INCHES		HOLES	
.X	± .10	Ø.X	± .10
.XX	± .020	Ø.XX	± .015
.XXX	± .015	Ø.XXX	± .010

ADAM TECH

909 Rahway Avenue, Union, NJ 07083
 Phone: 908-687-5000 Fax: 908-687-5710

TITLE
 .020 [0.50] BOARD TO BOARD SOCKET,
 .087 [2.20] HEIGHT, SMT TYPE, W/CAP

APPROVALS		DATE
DRAWN	HR	3/13/15
CHECKED	LW	3/13/15
APPROVED		

SIZE	PART NO.	REV.
X	BB5-SW-XXX-G-2.20-PP-T/R	A
REF: S00019C	SCALE: NTS	SHEET 1 OF 1