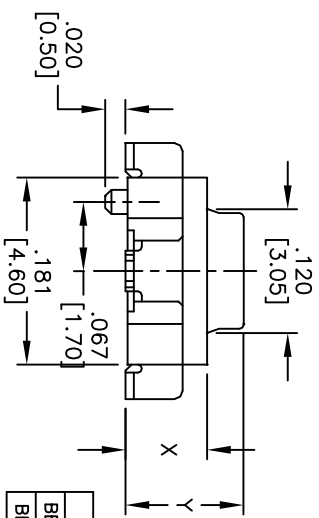
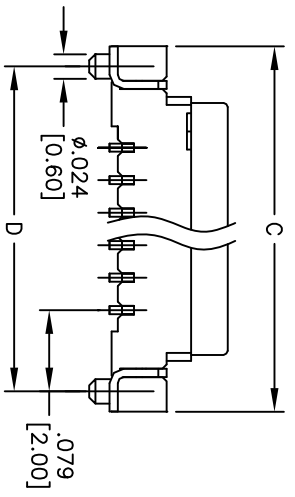
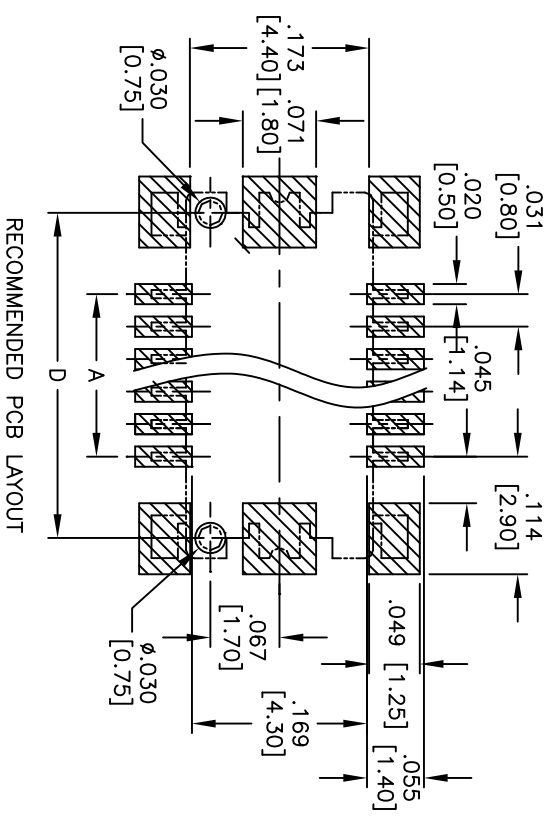
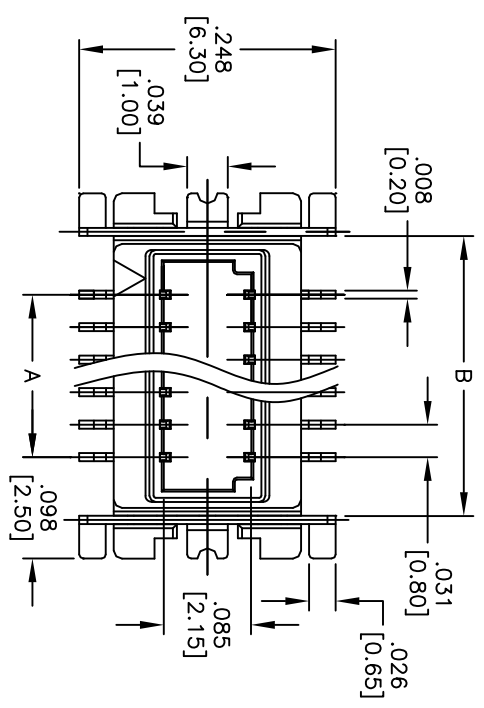


Rev	AWO #	Description	Date	Appr
-		RELEASED	12/03/10	

APPROVED: \_\_\_\_\_  
 DATE: \_\_\_\_\_ TITLE: \_\_\_\_\_



PACKAGED ON TAPE & REEL

ADAM P/N	X	Y
BB8-PEA-XX-G-3.60-1/R	.106 [2.70]	.142 [3.60]
BB8-PEA-XX-G-2.90-1/R	.079 [2.00]	.114 [2.90]

Positions: 10 thru 30  
 A = .031 [0.80] x (No. of Contacts per row - 1) + .063 [1.60]  
 B = .031 [0.80] x (No. of Contacts per row - 1) + .197 [5.00]  
 C = .031 [0.80] x (No. of Contacts per row - 1) + .157 [4.00]  
 D = .031 [0.80] x (No. of Contacts per row - 1) + .157 [4.00]

**ADAM TECH**

909 Rahway Avenue, Union, NJ 07083  
 Phone: 908-687-5000 Fax: 908-687-5710

031 [0.80] BOARD TO BOARD PLUG, SMT TYPE  
 STACKING HEIGHT=3.5MM, 4.2MM

**SPECIFICATIONS:**

Material: Insulator: Hi-temp thermoplastic, rated UL 94V-0  
 Insulator color: Natural  
 Contacts: Copper Alloy  
 Hold down: Copper Alloy

Plating: Gold flash over Nickel underplate overall.

Electrical: Operating voltage: 50 VAC max  
 Current rating: 0.5 Amps max  
 Contact resistance: 30 mohms max. initial  
 Insulation resistance: 500 Mohms min

Environmental: Lead free, RoHS compliant  
 Recommended soldering temp: 260°C for 5 seconds



UNLESS OTHERWISE SPECIFIED			
ALL DIMENSIONS ARE INCHES [MM]			
TOLERANCES: EXCEPT AS NOTED	HOLDS		
.X	±.10	ØXX	±.10
.XX	±.020	ØXXX	±.015
.XXX	±.015	ØXXXX	±.010
APPROVALS	DATE		

DRAWN	DY	DATE
		12/03/10
CHECKED		
APPROVED		

SIZE	PART NO.	REV.
X	BB8-PEA-XX-G-X-XX-1/R	
REF:	S00728T	
SCALE:	NIS	
SHEET:	1 OF 1	