

Rev	AWO #	Description	Date	Appr
-		RELEASED	12/03/10	

6

5

4

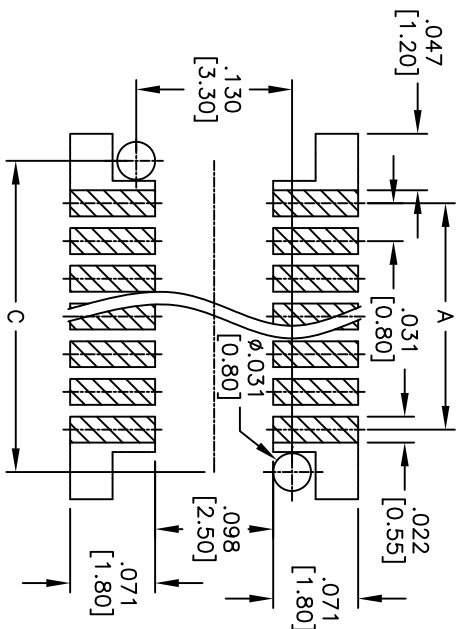
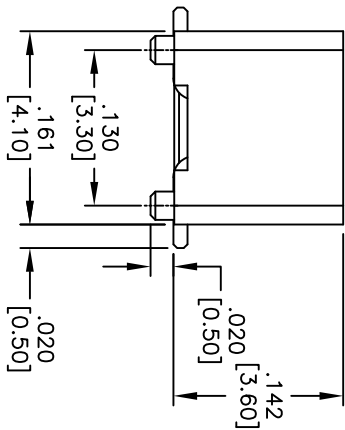
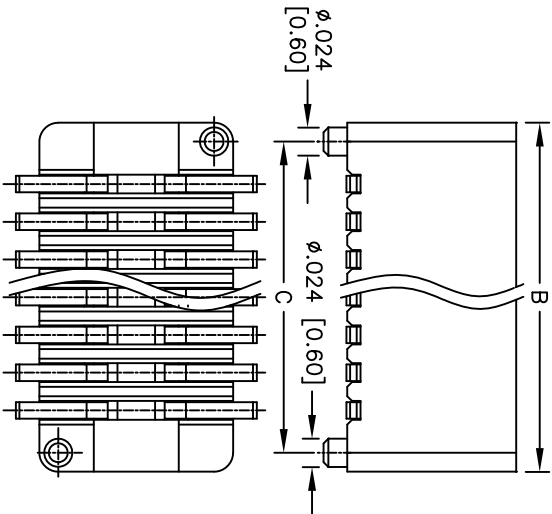
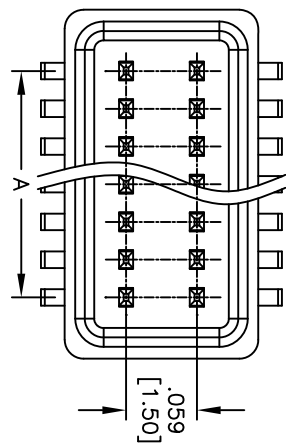
3

2

1

APPROVED: _____

DATE: _____ TITLE: _____



PACKAGED ON TAPE & REEL

RECOMMENDED PCB LAYOUT

Positions: 6 thru 36

A = .031 [0.80] x (No. of Contacts per row - 1) + .102 [2.60]
 B = .031 [0.80] x (No. of Contacts per row - 1) + .071 [1.80]
 C = .031 [0.80] x (No. of Contacts per row - 1) + .071 [1.80]

UNLESS OTHERWISE SPECIFIED
 ALL DIMENSIONS ARE IN INCHES [MM]
 TOLERANCES: EXCEPT AS NOTED
 INCHES HOLEES [MM]

.X	± .10	ØXX	± .10
.XX	± .020	ØXXX	± .015
.XXX	± .015	ØXXXX	± .010

APPROVALS DATE

DRAWN DY 12/03/10

CHECKED

APPROVED

ADAM TECH

909 Rahway Avenue, Union, NJ 07083
 Phone: 908-687-5000 Fax: 908-687-5710

TITLE
 .031 [0.80] BOARD TO BOARD PLUG; SMT TYPE
 3.60MM HEIGHT

SIZE	PART NO.	REV.
X	BB8+PEB-XX-G-3.60-T/R	-
REF: S0028T	SCALE: NTS	SHEET 1 OF 1

SPECIFICATIONS:

Material: Insulator: Hi-temp thermoplastic, rated UL 94V-0
 Insulator color: Black
 Contacts: Copper Alloy
 Hold down: Copper Alloy
 Plating: Gold flash over Nickel underplate overall.

Electrical: Operating voltage: 200 VAC max
 Current rating: 0.5 Amps max
 Contact resistance: 20 mohms max. initial
 Insulation resistance: 1000 Mohms min

Environmental: Lead free, RoHS compliant
 Recommended soldering temp: 260°C for 5 seconds



A

B

C

D

6

5

4

3

2

1