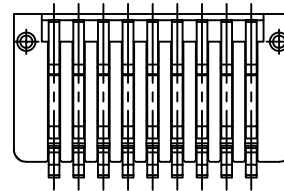
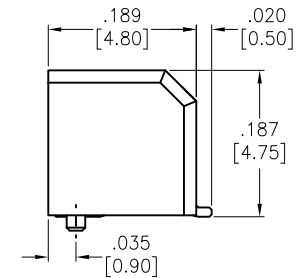
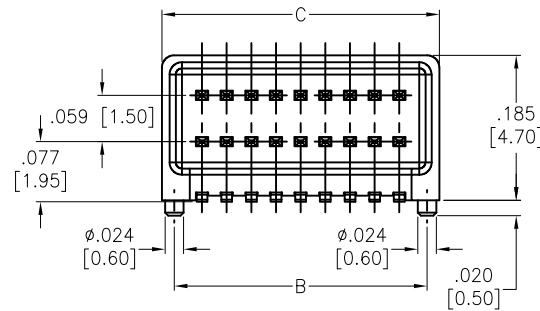
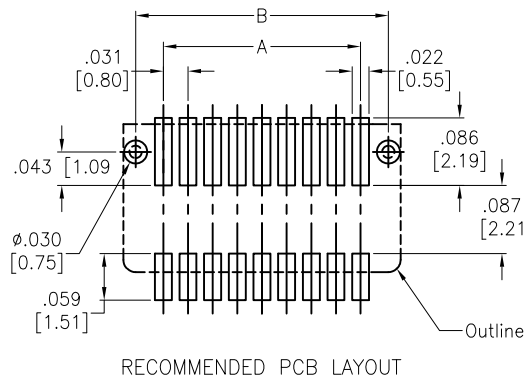
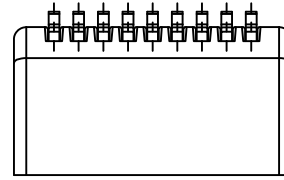


APPROVED: _____
 DATE: _____ TITLE: _____

Rev	AWO #	Description	Date	Appr
-		RELEASED	12/03/10	
A		UPDATED DRAWING	2/2/16	HR/MY



Positions: 6 thru 36

A = .031 [0.80] x No. of Space

B = .031 [0.80] x No. of Space + .071 [1.80]

C = .031 [0.80] x No. of Space + .102 [2.60]

SPECIFICATIONS:

Material:
 Insulator: Hi-temp thermoplastic, rated UL 94V-0
 Insulator color: Black
 Contacts: Copper Alloy
 Plating:
 Gold flash over Nickel underplate overall.
 Electrical:
 Operating voltage: 200 VAC
 Current rating: 0.5 Amps
 Contact resistance: 20 mohms max. initial
 Insulation resistance: 1,000 Mohms min
 Environmental:
 Lead free, RoHS compliant



UNLESS OTHERWISE SPECIFIED
 ALL DIMENSIONS ARE INCHES [MM]
 TOLERANCES: EXCEPT AS NOTED

INCHES		HOLES	
.X	± .10	∅.X	± .10
.XX	± .020	∅.XX	± .015
.XXX	± .015	∅.XXX	± .010

ADAM TECH

909 Rahway Avenue, Union, NJ 07083
 Phone: 908-687-5000 Fax: 908-687-5710

TITLE: **.031 [0.80] BOARD TO BOARD PLUG,
 SMT TYPE, .189 [4.80] HEIGHT**

APPROVALS		DATE
DRAWN	DY	12/03/10
CHECKED		
APPROVED		

SIZE	PART NO.	REV.
X	BB8-PEB-XX-G-4.80-T/R	A
REF: S00128T	SCALE: NTS	SHEET 1 OF 1