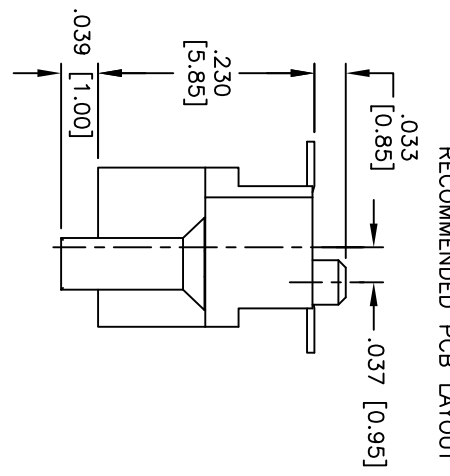
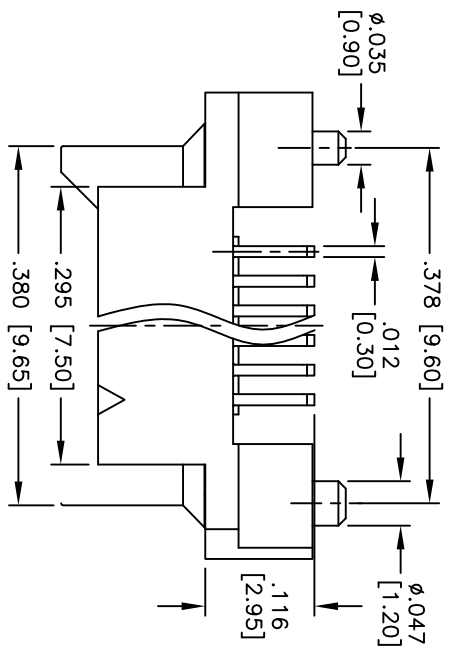
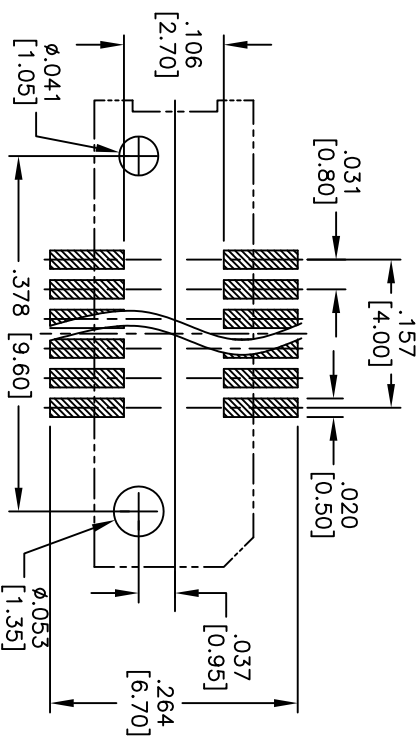
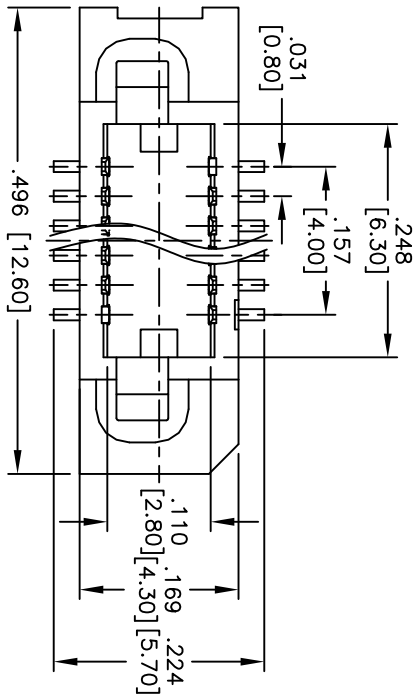


Rev	AWO #	Description	Date	Appr
-		RELEASED	12/03/10	

APPROVED: \_\_\_\_\_  
 DATE: \_\_\_\_\_ TITLE: \_\_\_\_\_



PACKAGED ON TAPE & REEL

**SPECIFICATIONS:**

- Material: Insulator: Hi-temp thermoplastic, rated UL 94V-0
- Insulator color: Natural
- Contacts: Copper Alloy
- Hold down: Copper Alloy
- Plating: Gold flash over Nickel underplate overall.
- Electrical: Operating voltage: 100VAC, 300VDC r.m.s
- Current rating: 0.5 Amps max
- Contact resistance: 60 mohms max. initial
- Insulation resistance: 500 Mohms min
- Environmental: Lead free, RoHS compliant

**ADAM TECH**

909 Rahway Avenue, Union, NJ 07083  
 Phone: 908-687-5000 Fax: 908-687-5710

TITLE: .031 [0.80] BOARD TO BOARD PLUG, SMT TYPE  
 5.85MM HEIGHT STACKING HEIGHT=6.95MM

UNLESS OTHERWISE SPECIFIED ALL DIMENSIONS ARE IN INCHES [MM]	
TOLERANCES: EXCEPT AS NOTED	
INCHES	HOLDS
.X ± .10	ØX ± .10
.XX ± .020	ØXXX ± .015
.XXX ± .015	ØXXXX ± .010
APPROVALS	DATE
DRAWN	DY
CHECKED	12/03/10
APPROVED	

SIZE	PART NO.	REV.
X	BB8-PEC-12-G-5.85-T/R	-
REF: S0028T	SCALE: NTS	SHEET 1 OF 1

