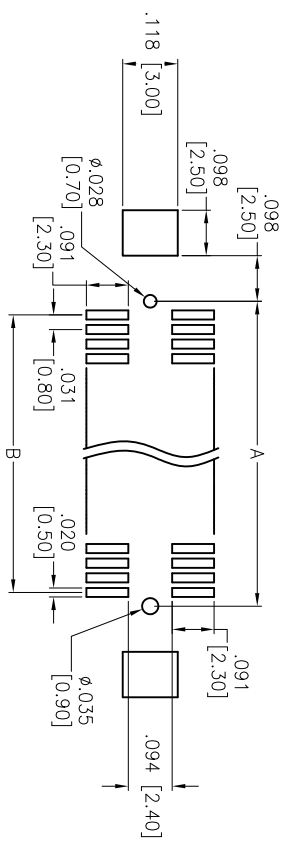
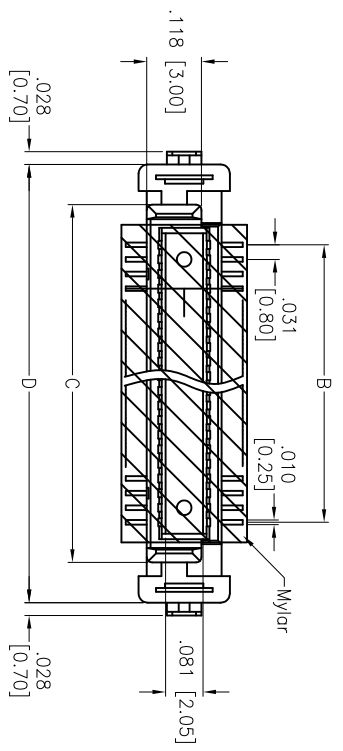
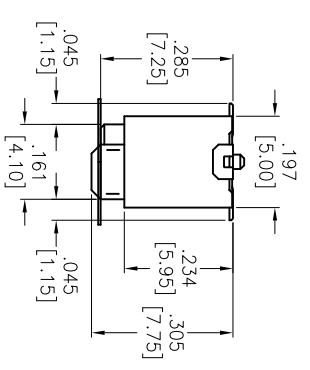
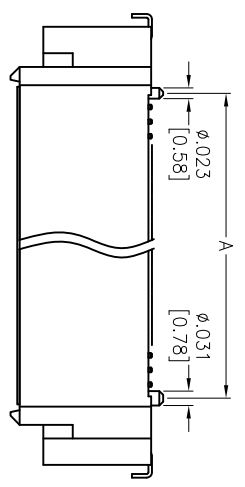


Rev	AWO #	Description	Date	Appr
-		RELEASED	10/27/11	

APPROVED: _____
 DATE: _____ TITLE: _____



RECOMMENDED PCB LAYOUT

SPECIFICATIONS:
Material:
 Insulator: Hi-temp thermoplastic, rated UL 94V-0
 Insulator color: Black
 Contacts: Copper Alloy
 Hold down: Copper Alloy

Plating:
 10u" Gold flash over Nickel underplate overall.
Electrical:
 Operating voltage: 200 VAC max.
 Current rating: 0.5 Amps max.
 Contact resistance: 70 mohms max. initial
 Insulation resistance: 100 Mohms min.

Environmental:
 Lead free, RoHS compliant
 Recommended soldering temp: 260°C for 5 seconds

PACKAGED ON TAPE & REEL
 Positions: 20, 30, 40, 50, 60
 A = .031 [0.80] x (No. of Contacts per row - 1) + .059 [1.50]
 B = .031 [0.80] x (No. of Contacts per row - 1)
 C = .031 [0.80] x (No. of Contacts per row - 1) + .173 [4.40]
 D = .031 [0.80] x (No. of Contacts per row - 1) + .346 [8.80]

ADAM TECH

909 Rahway Avenue, Union, NJ 07083
 Phone: 908-687-5000 Fax: 908-687-5710

TITLE: .031 [0.80] BOARD TO BOARD PLUG
 .305 [7.75] HEIGHT, SMT TYPE, MYLAR

UNLESS OTHERWISE SPECIFIED ALL DIMENSIONS ARE INCHES [MM]		TOLERANCES EXCEPT AS NOTED	
.X	± .10	ØXX	± .10
.XX	± .020	ØXXX	± .015
.XXX	± .015	ØXXXX	± .010
APPROVALS			
DRAWN	AY	DATE	10/27/11
CHECKED	CC	DATE	10/27/11
APPROVED		DATE	
SIZE	PART NO.	TITLE	REV.
X	BB8-PED-XX-G-7.75-10-KT-T/R	.031 [0.80] BOARD TO BOARD PLUG .305 [7.75] HEIGHT, SMT TYPE, MYLAR	
REF: S0028T	SCALE: NTS	SHEET 1 OF 1	

