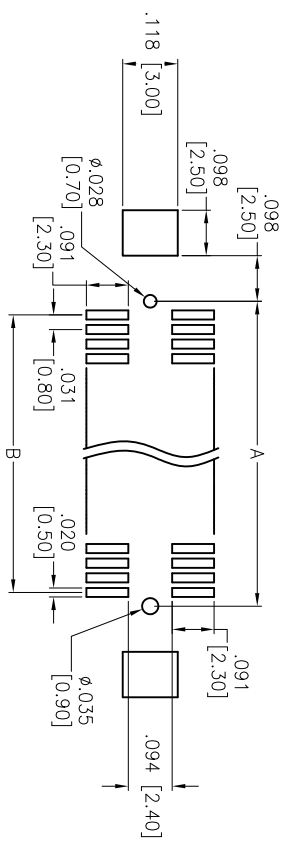
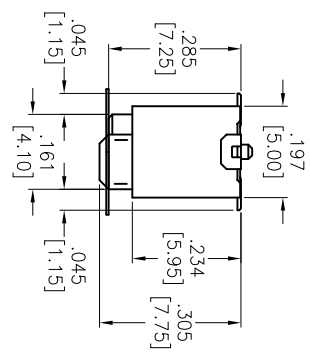
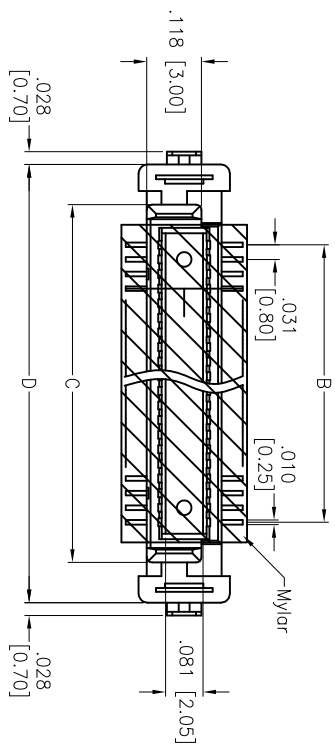
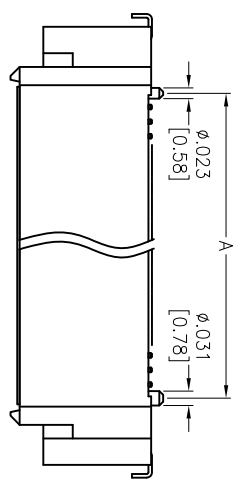


Rev	AWO #	Description	Date	Appr
-		RELEASED	10/24/11	

APPROVED: \_\_\_\_\_  
 DATE: \_\_\_\_\_ TITLE: \_\_\_\_\_



RECOMMENDED PCB LAYOUT

**PACKAGED ON TAPE & REEL**

- Positions: 20, 30, 40, 50, 60
- A = .031 [0.80] x (No. of Contacts per row - 1) + .059 [1.50]
  - B = .031 [0.80] x (No. of Contacts per row - 1)
  - C = .031 [0.80] x (No. of Contacts per row - 1) + .173 [4.40]
  - D = .031 [0.80] x (No. of Contacts per row - 1) + .346 [8.80]

**ADAM TECH**

909 Railway Avenue, Union, NJ 07083  
 Phone: 908-687-5000 Fax: 908-687-5710

TITLE: .031 [0.80] BOARD TO BOARD PLUG  
 .305 [7.75] HEIGHT, SMT TYPE, MYLAR

**SPECIFICATIONS:**  
 Material: Insulator: Hi-temp thermoplastic, rated UL 94V-0  
 Insulator color: Black  
 Contacts: Copper Alloy  
 Hold down: Copper Alloy  
 Plating: Gold flash over Nickel underplate overall.  
 Electrical: Operating voltage: 200 VAC max.  
 Current rating: 0.5 Amps max.  
 Contact resistance: 70 Mohms max. initial  
 Insulation resistance: 100 Mohms min.  
 Environmental: Lead free, RoHS compliant



UNLESS OTHERWISE SPECIFIED ALL DIMENSIONS ARE INCHES [MM]		TOLERANCES: EXCEPT AS NOTED	
.X	± .10	ØX	± .10
.XX	± .020	ØXX	± .015
.XXX	± .015	ØXXX	± .010
APPROVALS		DATE	
DRAWN	TW	10/24/11	
CHECKED	AY	10/24/11	
APPROVED			
SIZE	PART NO.	TITLE	
X	BB8-PED-XX-G-7.75-KT-T/R	.031 [0.80] BOARD TO BOARD PLUG .305 [7.75] HEIGHT, SMT TYPE, MYLAR	
REF:	S00128T	SCALE:	NTS
SHEET	1 OF 1	SHEET	1 OF 1