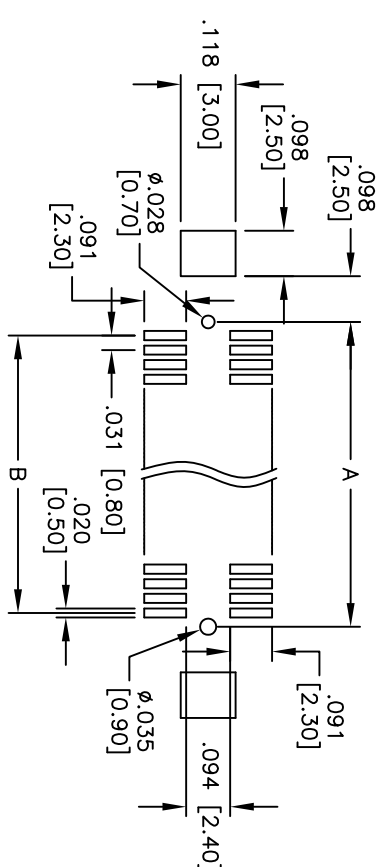
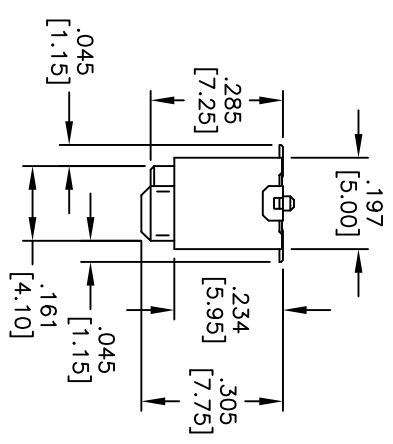
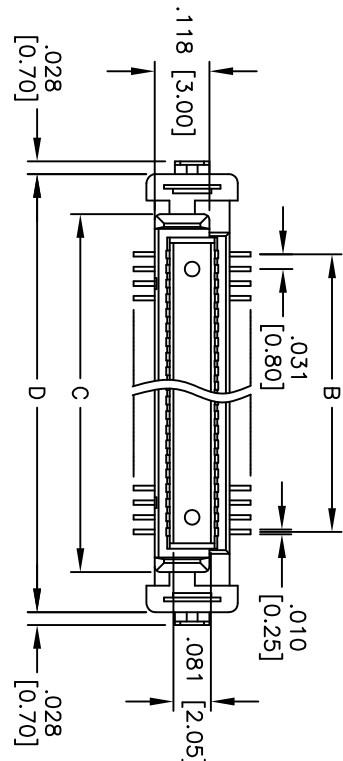
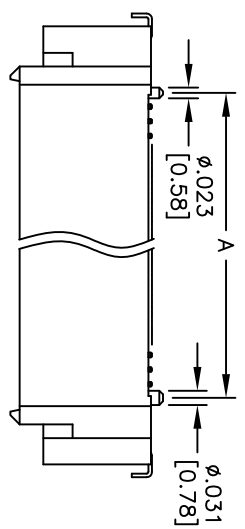


Rev	AWO #	Description	Date	Appr
-		RELEASED	11/29/10	

APPROVED: _____
 DATE: _____ TITLE: _____



RECOMMENDED PCB LAYOUT

Positions: 20, 30, 40, 50, 60
 A = .031 [0.80] x (No. of Contacts per row - 1) + .059 [1.50]
 B = .031 [0.80] x (No. of Contacts per row - 1)
 C = .031 [0.80] x (No. of Contacts per row - 1) + .173 [4.40]
 D = .031 [0.80] x (No. of Contacts per row - 1) + .346 [8.80]

SPECIFICATIONS:
 Material:
 Insulator: Hi-temp thermoplastic, rated UL 94V-0
 Insulator color: Black
 Contacts: Copper Alloy
 Hold down: Copper Alloy
 Plating:
 Gold flash over Nickel underplate overall.
 Electrical:
 Operating voltage: 200 VAC max.
 Current rating: 0.5 Amps max.
 Contact resistance: 70 mohms max. initial
 Insulation resistance: 100 Mohms min.
 Environmental:
 Lead free, RoHS compliant



UNLESS OTHERWISE SPECIFIED ALL DIMENSIONS ARE IN INCHES [MM]	
TOLERANCES: EXCEPT AS NOTED	
INCHES	HOLDS
.X ± .10	ØX ± .10
.XX ± .020	ØXX ± .015
.XXX ± .015	ØXXX ± .010
APPROVALS	DATE
DRAWN AY	11/29/10
CHECKED JL	11/29/10
APPROVED	

ADAM TECH
 909 Railway Avenue, Union, NJ 07083
 Phone: 908-687-5000 Fax: 908-687-5710

TITLE	.031 [0.80] BOARD TO BOARD PLUG	
SIZE	.305 [7.75] HEIGHT, SMT TYPE	
PART NO.	BB8-PED-XX-G-7.75-TR	
REV.	-	
REF:	S0028T	SCALE: NTS
SHEET	1	OF 1