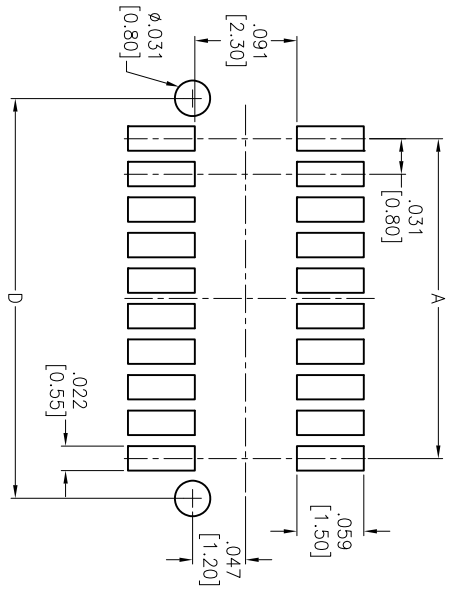
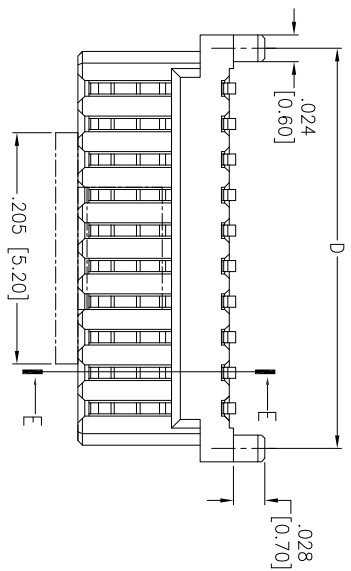
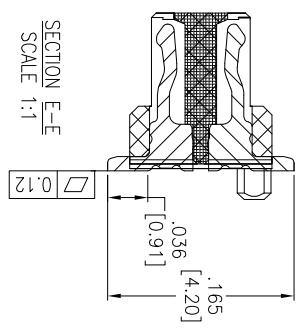
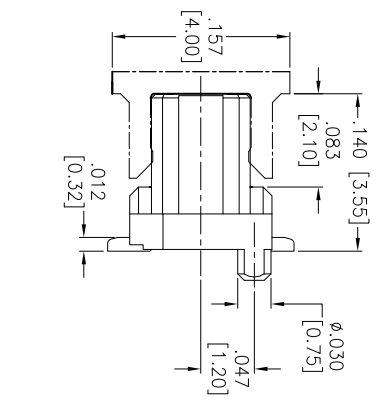
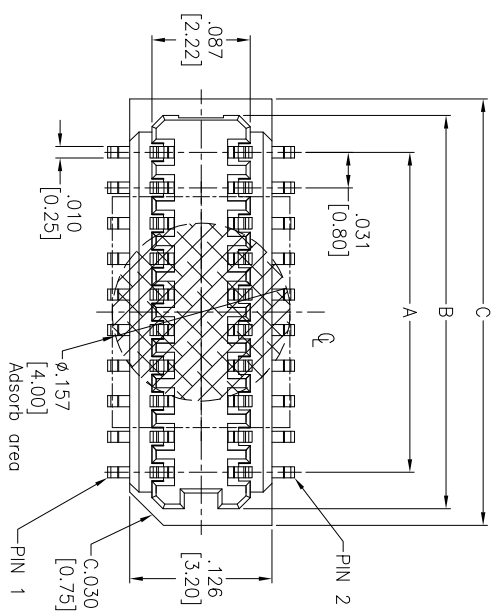


| Rev | AWO # | Description | Date    | Appr |
|-----|-------|-------------|---------|------|
| -   |       | RELEASED    | 6/27/14 |      |

APPROVED: \_\_\_\_\_  
 DATE: \_\_\_\_\_ TITLE: \_\_\_\_\_



RECOMMENDED PCB LAYOUT



PACKAGED ON TAPE & REEL

A = .031 [0.80] x No. of Spaces  
 B = .031 [0.80] x No. of Spaces + .065 [1.65]  
 C = .031 [0.80] x No. of Spaces + .094 [2.40]  
 D = .031 [0.80] x No. of Spaces + .071 [1.80]

**ADAM TECH**

909 Railway Avenue, Union, NJ 07083  
 Phone: 908-687-5000 Fax: 908-687-5710

**.031 [0.80] PITCH BOARD TO BOARD  
 PLUG CONNECTOR, SMT TYPE**

**SPECIFICATIONS:**  
 Material: Insulator: Hi-Temp Thermoplastic, rated UL 94V-0  
 Insulator color: Black  
 Contacts: Phosphor Bronze  
 Plating: Gold flash over Nickel underplate overall  
 Electrical: Current rating: 0.5 Amp max  
 Contact resistance: 30 mohms max  
 Insulation resistance: 100 Mohms min  
 Dielectric withstanding voltage: 500 VAC for 1 minute  
 Temperature Rating: Operating temperature: -20°C to +105°C  
 Environmental: Lead free, RoHS compliant



| UNLESS OTHERWISE SPECIFIED<br>ALL DIMENSIONS ARE INCHES [MM] |             |
|--|-------------|
| TOLERANCES: EXCEPT AS NOTED                                  |             |
| INCHES   | HOLES       |
| .X ± .10   | ØX ± .10    |
| .XX ± .020   | ØXXX ± .015 |
| .XXX ± .015  | ØXXX ± .010 |
| APPROVALS  |             |
| DRAWN  | AY          |
| CHECKED  | SY          |
| DATE   | DATE        |
| 6/27/14  | 6/27/14     |

|              |  |              |
|--------------|--|--------------|
| REF: S00019C | SCALE: NTS   | SHEET 1 OF 1 |
| SIZE         | PART NO.   | REV.         |
| X            | BB8-PWA-XX-G-3.55-PP-T/R                                     | -            |
| DATE         | TITLE  |              |
| 6/27/14      | .031 [0.80] PITCH BOARD TO BOARD<br>PLUG CONNECTOR, SMT TYPE |              |