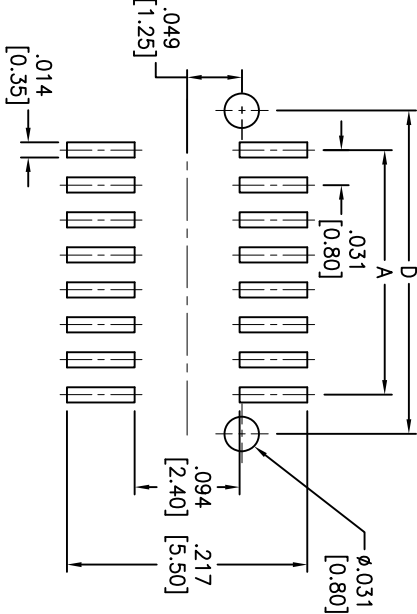
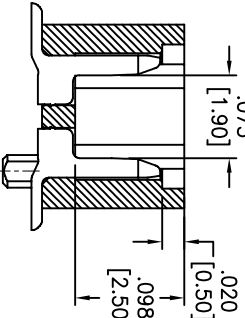
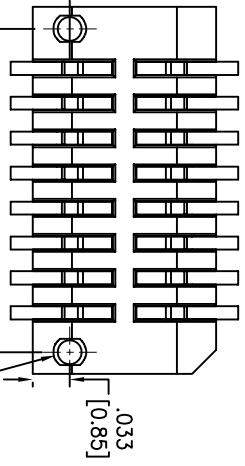
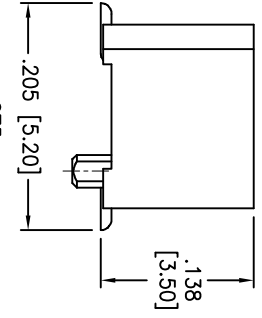
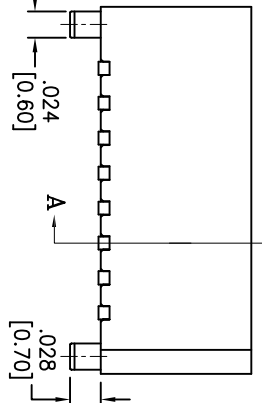
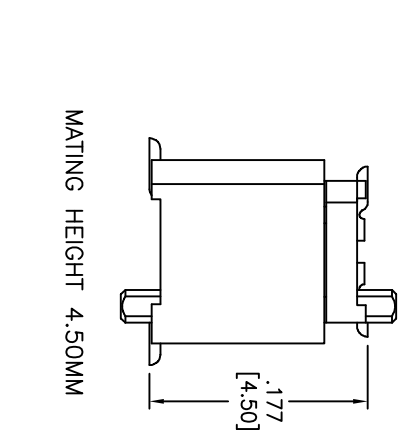
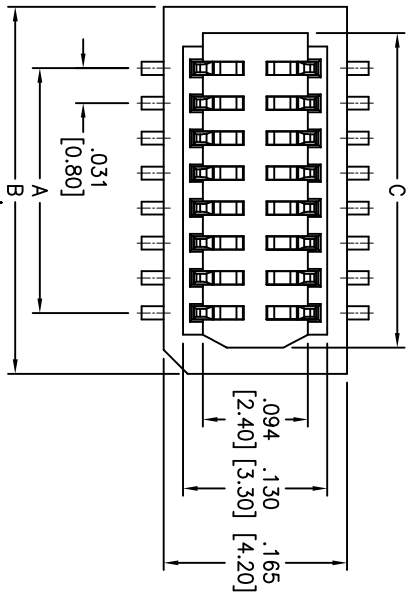


APPROVED: _____
 DATE: _____

TITLE: _____

Rev	AWO #	Description	Date	Appr
-		RELEASED	9/19/12	



RECOMMENDED PCB LAYOUT

PACKAGED ON TAPE & REEL
 Positions: 10 Thru 100
 A = .031 [0.80] x Spaces per row
 B = .031 [0.80] x Spaces per row
 C = .031 [0.80] x Spaces per row
 D = .031 [0.80] x Spaces per row

ADAM TECH

909 Rahway Avenue, Union, NJ 07083
 Phone: 908-687-5000 Fax: 908-687-5710

TITLE: .031 [0.80] BOARD TO BOARD SOCKET
 3.50MM HEIGHT, SMT TYPE

UNLESS OTHERWISE SPECIFIED ALL DIMENSIONS ARE INCHES [MM] TOLERANCES: EXCEPT AS NOTED	INCHES	HOLES
X.XX ± .020	ØXX ± .015	± .010
.XXX ± .015	ØXXX ± .010	

APPROVALS	DATE	SIZE	PART NO.	REV.
DRAWN AY	9/19/12	X	BB8-SD-XXX-G-350-TR	-
CHECKED GH	9/19/12			
APPROVED				

SPECIFICATIONS:
 Material: HI-temp thermoplastic, rated UL 94V-0
 Insulator color: White
 Contacts: Brass
 Plating: Gold flash over Nickel underplate overall
 Electrical:
 Voltage rating: 50 V AC/DC max.
 Current rating: 0.5 A AC/DC max.
 Contact resistance: 30 Mohms max. initial
 Insulation resistance: 500 Mohms min.
 Dielectric withstanding voltage: 250 VAC for 1 minute
 Temperature Rating:
 Operating temperature: -25°C to +85°C
 Environmental:
 Lead free, ROHS compliant

ROHS COMPLIANT