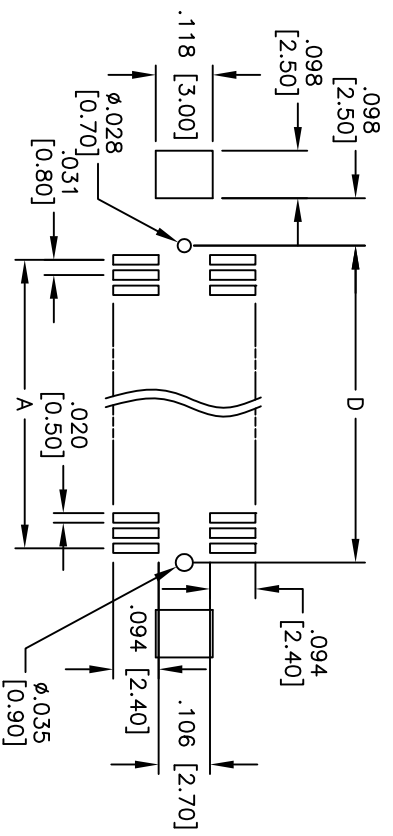
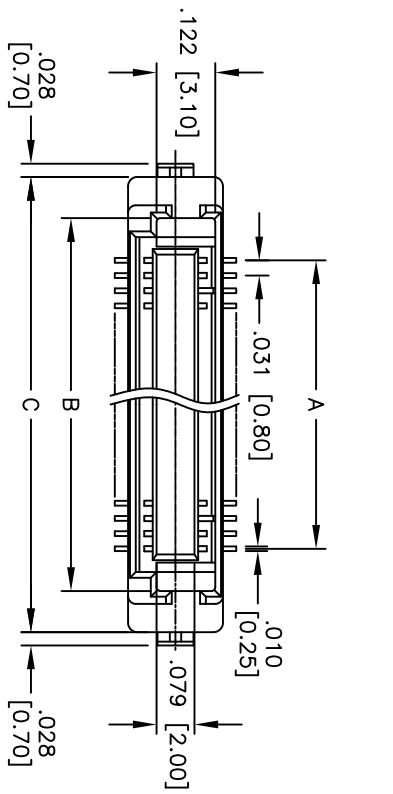
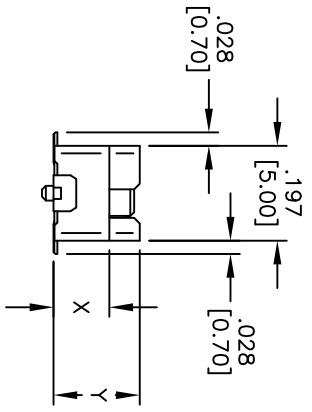
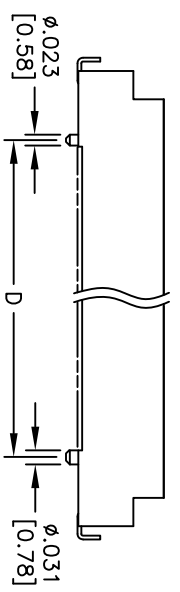


| Rev | AWO # | Description | Date     | Appr |
|-----|-------|-------------|----------|------|
| -   |       | RELEASED    | 11/29/10 |      |

APPROVED: \_\_\_\_\_  
 DATE: \_\_\_\_\_ TITLE: \_\_\_\_\_



RECOMMENDED PCB LAYOUT



| ADAM P/N               | X            | Y            |
|------------------------|--------------|--------------|
| BB8-SED-XX-G-4.40-T/R  | .112 [2.85]  | .173 [4.40]  |
| BB8-SED-XX-G-6.55-T/R  | .197 [5.00]  | .258 [6.55]  |
| BB8-SED-XX-G-9.55-T/R  | .315 [8.00]  | .376 [9.55]  |
| BB8-SED-XX-G-12.55-T/R | .433 [11.00] | .494 [12.55] |

Positions: 20, 30, 40, 50, 60

A = .031 [0.80] x (No. of Contacts per row - 1) + .175 [4.45]  
 B = .031 [0.80] x (No. of Contacts per row - 1) + .346 [8.80]  
 C = .031 [0.80] x (No. of Contacts per row - 1) + .059 [1.50]  
 D = .031 [0.80] x (No. of Contacts per row - 1) + .059 [1.50]

# ADAM TECH

909 Railway Avenue, Union, NJ 07083  
 Phone: 908-687-5000 Fax: 908-687-5710

TITLE: .031 [0.80] BOARD TO BOARD SOCKET, SMT TYPE  
 4.4 MM HEIGHT, STACKING HEIGHT=2.85MM

| APPROVALS  | DATE     | SIZE | PART NO.            | REV. |
|------------|----------|------|---------------------|------|
| DRAWN AY   | 11/29/10 | X    | BB8-SED-XX-G-XX-T/R | -    |
| CHECKED JL | 11/29/10 |      |                     |      |
| APPROVED   |          |      |                     |      |

UNLESS OTHERWISE SPECIFIED  
 ALL DIMENSIONS ARE INCHES [MM]  
 TOLERANCES: EXCEPT AS NOTED

| INCHES      | HILES        |
|-------------|--------------|
| .X ± .10    | ØXX ± .10    |
| .XX ± .020  | ØXXX ± .015  |
| .XXX ± .015 | ØXXXX ± .010 |

**SPECIFICATIONS:**  
 Material: Insulator: Hi-temp thermoplastic, rated UL 94V-0  
 Insulator color: Black  
 Contacts: Copper Alloy  
 Hold down: Copper Alloy  
 Plating: Gold flash over Nickel underplate overall.  
 Electrical: Operating voltage: 200 VAC max.  
 Current rating: 0.5 Amps max.  
 Contact resistance: 70 mohms max. initial  
 Insulation resistance: 100 Mohms min.  
 Environmental: Lead free, RoHS compliant

