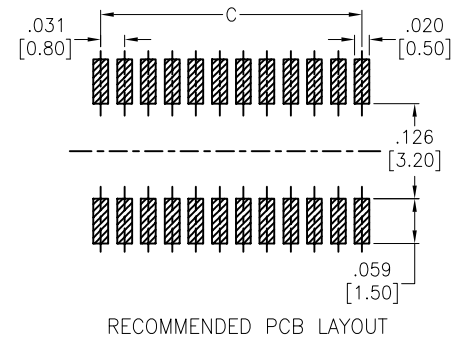
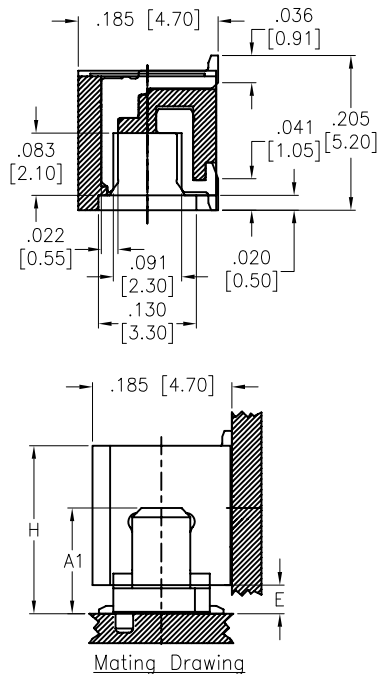
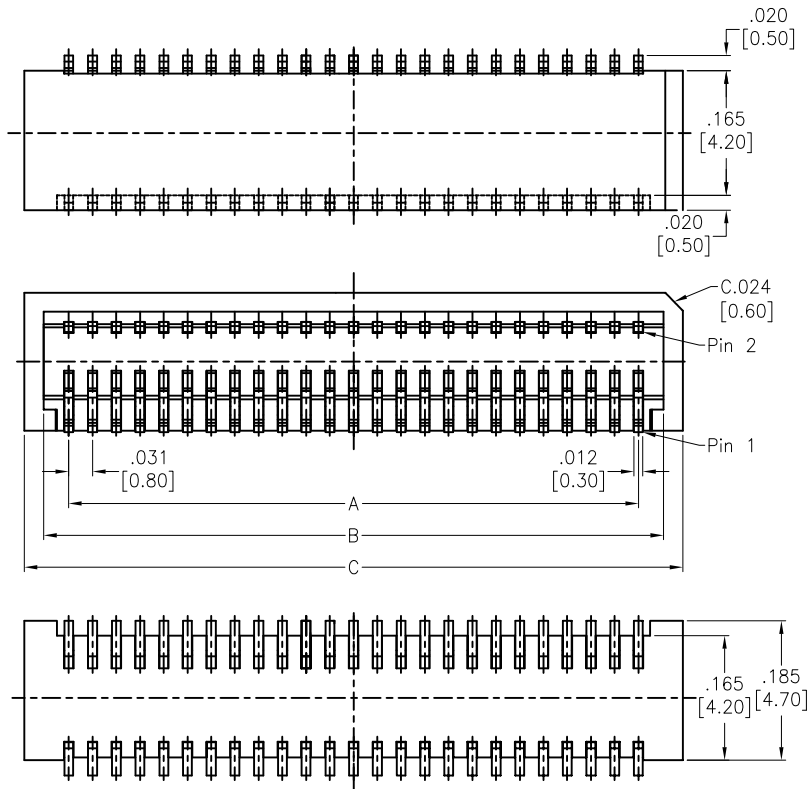


APPROVED: \_\_\_\_\_  
 DATE: \_\_\_\_\_ TITLE: \_\_\_\_\_

Rev	AWO #	Description	Date	Appr
-		RELEASED	3/21/16	



Mating	Dim A1	Dim H	Dim E
BB8-PN-XXX-G-3.55-PP-T/R	.140 [3.55]	.222 [5.65]	.037 [0.95]
BB8-PN-XXX-G-4.05-PP-T/R	.159 [4.05]	.242 [6.15]	.057 [1.45]

Positions: 10, 12, 14, 16, 18, 20, 22, 24, 26, 28, 30,  
 32, 34, 36, 38, 40, 50, 60, 68, 70, 80, 90, 100  
 A = .031 [0.80] x (No. of Positions per row - 1)  
 B = .031 [0.80] x (No. of Positions per row - 1) + .067 [1.70]  
 C = .031 [0.80] x (No. of Positions per row - 1) + .118 [3.00]

**SPECIFICATIONS:**  
 Material:  
 Insulator: Hi-temp thermoplastic, rated UL 94V-0  
 Insulator color: White  
 Contacts: Phosphor Bronze  
 Plating:  
 Gold flash over Nickel underplate overall  
 Electrical:  
 Operating voltage: 100 VAC max.  
 Current rating: 0.5 Amps max.  
 Contact resistance: 40 mohms max. initial  
 Insulation resistance: 100 Mohms min.  
 Dielectric withstanding voltage: 500 VAC for 1 minute  
 Temperature Rating:  
 Operating temperature: -40°C to +105°C  
 Environmental:  
 Lead free, RoHS compliant



UNLESS OTHERWISE SPECIFIED ALL DIMENSIONS ARE INCHES [MM] TOLERANCES: EXCEPT AS NOTED		
INCHES		HOLES
.X ± .10	∅X ± .10	
.XX ± .020	∅XX ± .015	
.XXX ± .015	∅XXX ± .010	
APPROVALS		DATE
DRAWN	HR	3/21/16
CHECKED	ML	3/21/16
APPROVED		

**ADAM TECH**  
 909 Rahway Avenue, Union, NJ 07083  
 Phone: 908-687-5000 Fax: 908-687-5710

TITLE: **.031 [0.80] BOARD TO BOARD, SOCKET  
 RIGHT ANGLE, SMT TYPE, 4.70MM HEIGHT**

SIZE X	PART NO. BB8-SN-XXX-G-4.70-RA	REV. -
REF: S00056T	SCALE: NTS	SHEET 1 OF 1

6 5 4 3 2 1

D

D

C

C

B

B

A

A

6 5 4 3 2 1