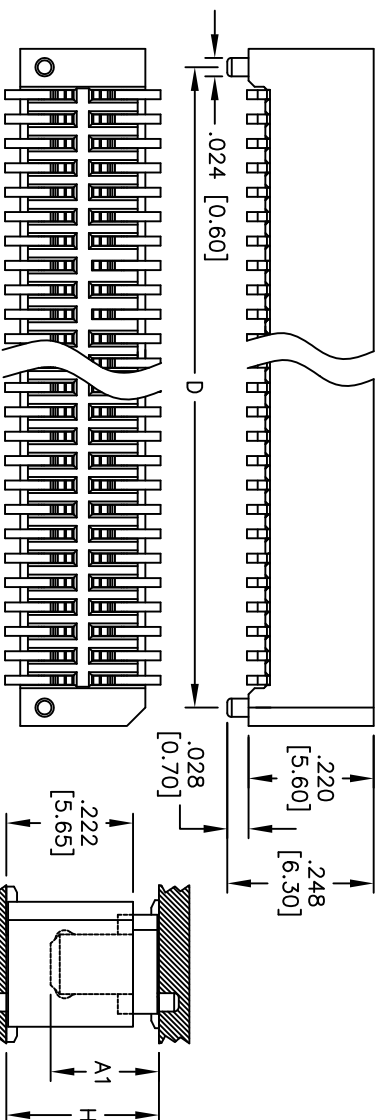
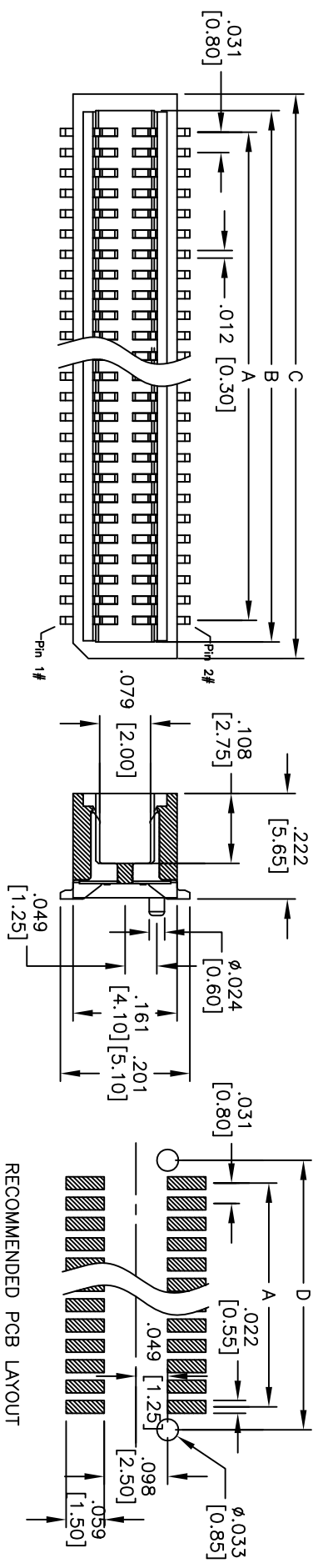


Rev	AWO #	Description	Date	Appr
-		RELEASED	7/20/10	

APPROVED: _____
 TITLE: _____
 DATE: _____



ADAM P/N	Plug Height (A1)	Mating Height (H)
BB8-SN-XX-G-5.65-T/R	.144 [3.55]	.256 [6.50]
BB8-SN-XX-G-5.65-T/R	.159 [4.05]	.276 [7.00]

Mated with: BB8-PN-XXX-G-X.XX-T/R

Positions: 10, 12, 14, 16, 18, 20, 22, 24, 26, 28, 30, 32, 34, 36, 38, 40, 50, 60, 68, 70, 80, 90, 100

A = .031 [0.80] x (No. of Positions per row - 1) + .067 [1.70]
 B = .031 [0.80] x (No. of Positions per row - 1) + .118 [3.00]
 C = .031 [0.80] x (No. of Positions per row - 1) + .118 [3.00]
 D = .031 [0.80] x (No. of Positions per row - 1) + .071 [1.80]

SPECIFICATIONS:

Material: Insulator: Hi-temp thermoplastic, rated UL 94V-0
 Insulator color: White
 Contacts: Phosphor Bronze
 Plating: Gold flash over Nickel underplate overall
 Electrical: Operating voltage: 100 VAC max.
 Current rating: 0.5 Amps max.
 Contact resistance: 40 mohms max. initial
 Insulation resistance: 100 Mohms min.
 Dielectric withstanding voltage: 500 VAC for 1 minute
 Temperature Rating: Operating temperature: -40°C to +105°C
 Environmental: Lead free, RoHS compliant

Operating voltage: 100 VAC max.
 Current rating: 0.5 Amps max.
 Contact resistance: 40 mohms max. initial
 Insulation resistance: 100 Mohms min.
 Dielectric withstanding voltage: 500 VAC for 1 minute
 Temperature Rating: Operating temperature: -40°C to +105°C
 Environmental: Lead free, RoHS compliant



ADAM TECH

909 Railway Avenue, Union, NJ 07083
 Phone: 908-687-5000 Fax: 908-687-5710

TITLE: .031 [0.80] BOARD TO BOARD SOCKET
 5.65MM HEIGHT, SMT TYPE

UNLESS OTHERWISE SPECIFIED ALL DIMENSIONS ARE IN INCHES [MM]		TOLERANCES: EXCEPT AS NOTED	
INCHES		HOLDERS	
.X	± .10	ØX	± .10
.XX	± .020	ØXXX	± .015
.XXX	± .015	ØXXXX	± .010
APPROVALS		DATE	
DRAWN	DY	7/20/10	
CHECKED			
APPROVED			
SIZE	PART NO.	REV.	
X	BB8-SN-XX-G-5.65-T/R		
REF:	S00056T	SCALE:	NIS
SHEET	1 OF 1		