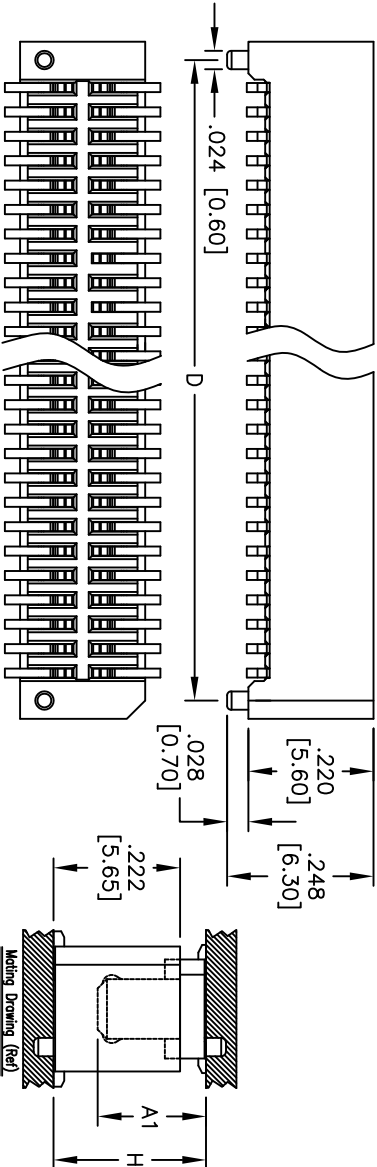
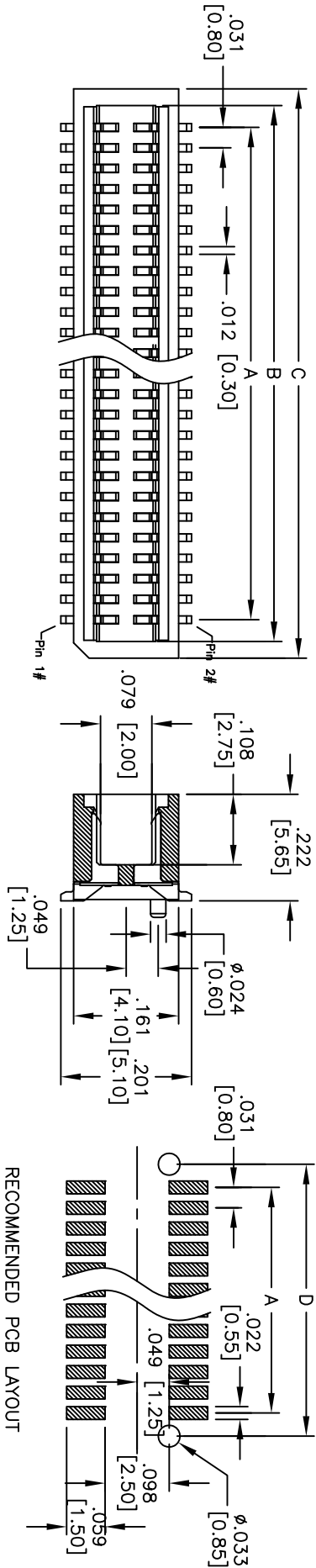


Rev	AWO #	Description	Date	Appr
-		RELEASED	7/20/10	

APPROVED: _____
 DATE: _____ TITLE: _____



ADAM P/N	Plug Height (A1)	Mating Height (H)
BB8-SN-XX-G-5.65	.144 [3.55]	.256 [6.50]
BB8-SN-XX-G-5.65	.159 [4.05]	.276 [7.00]

Mated with: BB8-PN-XXX-G-X.XX

Positions: 10, 12, 14, 16, 18, 20, 22, 24, 26, 28, 30, 32, 34, 36, 38, 40, 50, 60, 68, 70, 80, 90, 100

A = .031 [0.80] x (No. of Positions per row - 1)	B = .031 [0.80] x (No. of Positions per row - 1) + .067 [1.70]	C = .031 [0.80] x (No. of Positions per row - 1) + .118 [3.00]	D = .031 [0.80] x (No. of Positions per row - 1) + .071 [1.80]
--	--	--	--

SPECIFICATIONS:
 Material: Nylon 46, rated UL 94V-0
 Insulator color: White
 Contacts: Phosphor Bronze
 Plating: Gold flash over Nickel underplate overall
 Electrical:
 Operating voltage: 100 VAC max.
 Current rating: 0.5 Amps max.
 Contact resistance: 40 mohms max. initial
 Insulation resistance: 100 Mohms min.
 Dielectric withstanding voltage: 500 VAC for 1 minute
 Temperature Rating:
 Operating temperature: -40°C to +105°C
 Environmental:
 Lead free, RoHS compliant
 Recommended soldering temp: 260°C for 5 seconds



UNLESS OTHERWISE SPECIFIED
 ALL DIMENSIONS ARE IN INCHES [MM]
 TOLERANCES: EXCEPT AS NOTED

INCHES	HOLDS
.X ± .10	ØX ± .10
.XX ± .020	ØXX ± .015
.XXX ± .015	ØXXX ± .010

APPROVALS: _____ DATE: _____

ADAM TECH
 909 Rahway Avenue, Union, NJ 07083
 Phone: 908-687-5000 Fax: 908-687-5710

TITLE: .031 [0.80] BOARD TO BOARD SOCKET
 5.65MM HEIGHT, SMT TYPE

DRAWN	DATE	SIZE	PART NO.	REV.
DY	7/20/10	X	BB8-SN-XX-G-5.65	-

CHECKED: _____
 APPROVED: _____
 REF: S00035T SCALE: NTS SHEET 1 OF 1