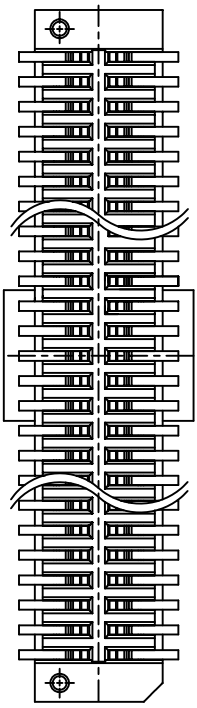
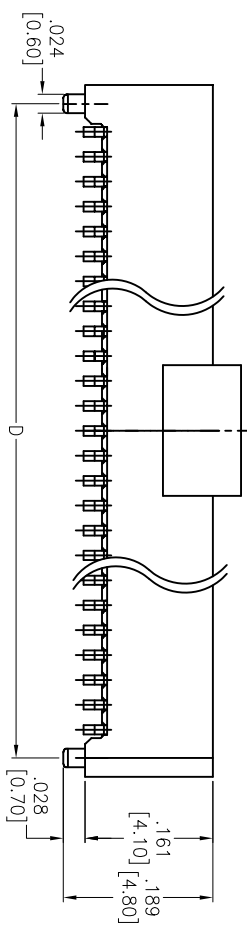
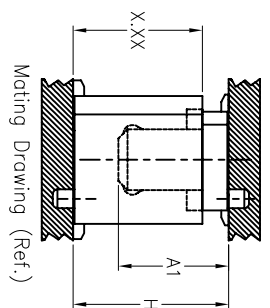
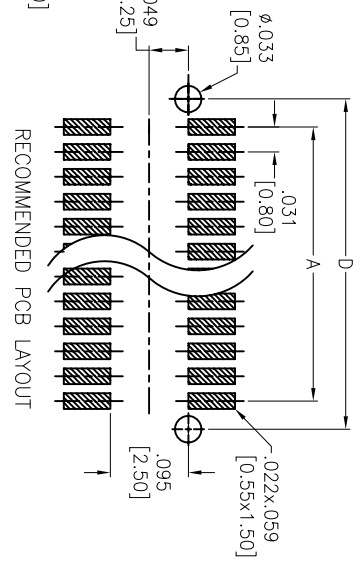
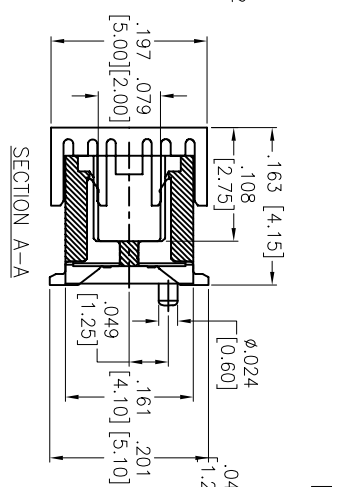
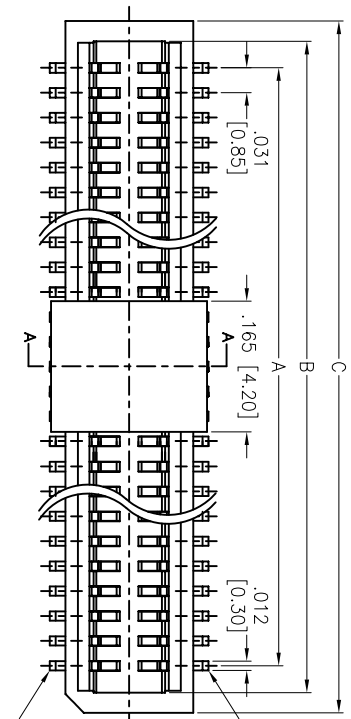


Rev	AWO #	Description	Date	Appr
-		RELEASED	11/05/12	

APPROVED: _____

DATE: _____ TITLE: _____



ADAM P/N	XXX	Plug Height (A1)	Mating Height (H)
BB8-SN-XXX-G-3.65-PP-T/R	.144 [3.65]	.140 [3.55]	.177 [4.50]
BB8-SN-XXX-G-4.15-PP-T/R	.163 [4.15]	.159 [4.05]	.197 [5.00]
BB8-SN-XXX-G-5.15-PP-T/R	.203 [5.15]	.140 [3.55]	.236 [6.00]
BB8-SN-XXX-G-5.65-PP-T/R	.222 [5.65]	.140 [3.55]	.256 [6.50]
BB8-SN-XXX-G-4.70-PP-T/R	.185 [4.70]	.159 [4.05]	.222 [5.65]
		.159 [4.05]	.242 [6.15]

Mated with: BB8-PN-XXX-G-X.XX-T/R

PACKAGED ON TAPE & REEL

Positions: 10, 12, 14, 16, 18, 20, 22, 24, 26, 28, 30, 32, 34, 36, 38, 40, 50, 60, 68, 70, 80, 90, 100

A = .031 [0.80] x (No. of Positions per row - 1) + .067 [1.70]

B = .031 [0.80] x (No. of Positions per row - 1) + .118 [3.00]

C = .031 [0.80] x (No. of Positions per row - 1) + .071 [1.80]

D = .031 [0.80] x (No. of Positions per row - 1) + .071 [1.80]

SPECIFICATIONS:

Material: Insulator: Hi-temp thermoplastic, rated UL 94V-0
 Insulator color: White
 Contacts: Phosphor Bronze
 Plating: Gold flash over Nickel underplate overall
 Electrical: Operating voltage: 100 VAC max.
 Current rating: 0.5 Amps max.
 Contact resistance: 40 mohms max. initial
 Insulation resistance: 100 Mohms min.
 Dielectric withstanding voltage: 500 VAC for 1 minute
 Temperature Rating: Operating temperature: -40°C to +105°C
 Environmental: Lead free, RoHS compliant

ADAM TECH

909 Railway Avenue, Union, NJ 07083
 Phone: 908-687-5000 Fax: 908-687-5710

.031 [0.80] BOARD TO BOARD, SOCKET SURFACE MOUNT TYPE, WITH CAP

UNLESS OTHERWISE SPECIFIED ALL DIMENSIONS ARE INCHES [MM]		TOLERANCES EXCEPT AS NOTED	
INCHES		HOLDS	
.X ± .10	ØX ± .10		
.XX ± .020	ØXX ± .015		
.XXX ± .015	ØXXX ± .010		
APPROVALS	DATE	TITLE	
DRAWN TW	11/05/12	.031 [0.80] BOARD TO BOARD, SOCKET SURFACE MOUNT TYPE, WITH CAP	
CHECKED AY	11/05/12	SIZE	PART NO.
APPROVED		X	BB8-SN-XXX-G-X.XX-PP-T/R
		REF: S0005T	SCALE: NTS
			SHEET 1 OF 1

