

6

5

4

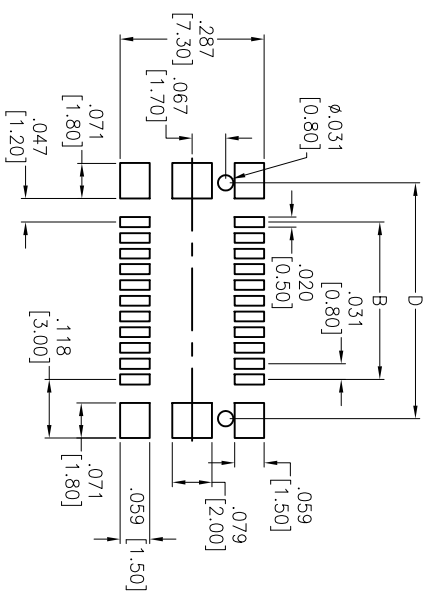
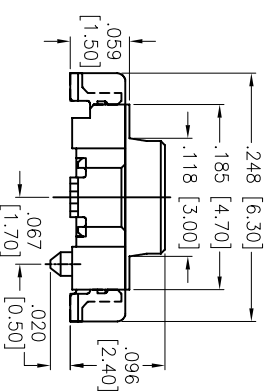
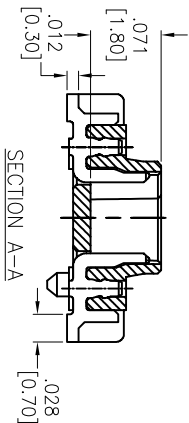
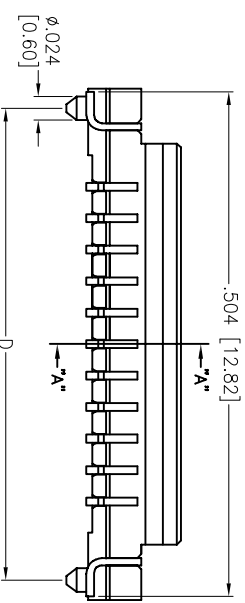
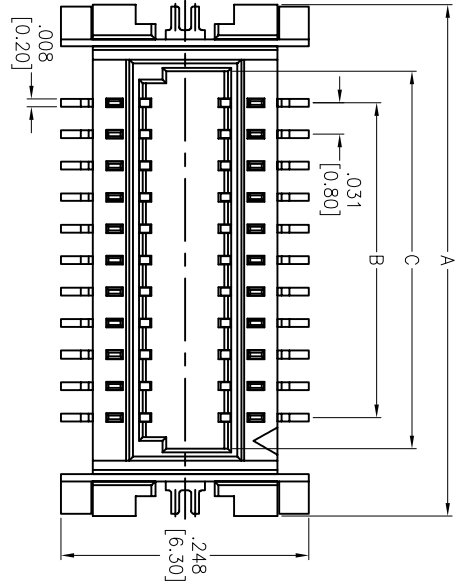
3

2

1

APPROVED: _____
 DATE: _____ TITLE: _____

Rev	AWO #	Description	Date	Appr
-		RELEASED	11/21/13	
A		UPDATED SPECIFICATIONS	1/27/14	SS
B		REVISED SPEC.	7/8/14	AVYC



SPECIFICATIONS:

Material:
 Insulator: Hi-Temp Thermoplastic, rated UL 94V-0
 Insulator color: Natural
 Contacts: Phosphor bronze
 Plating:
 Gold over Nickel underplate overall.
Electrical:
 Operating Voltage: 30V AC/DC Max.
 Current rating: 0.5 Amps max
 Contact resistance: 40 mohms max. initial
 Insulation resistance: 100 Mohms min
 Dielectric withstanding voltage: 500 VAC for 1 minute
Mechanical:
 Durability: 30 Mating Cycles
 Insertion Force: 150gf /contact
 Retention Force: 200g Min /contact
 Temperature Rating:
 Operating temperature: 0°C to +70°C
 Environmental:
 Lead free, RoHS compliant

PACKAGED ON TAPE & REEL
 Positions: 04 thru 100
 A = B + .197 [5.00]
 B = .031 [0.80] x No. of Spaces
 C = B + .063 [1.60]
 D = B + .157 [4.00]

UNLESS OTHERWISE SPECIFIED
 ALL DIMENSIONS ARE INCHES [MM]
 TOLERANCES EXCEPT AS NOTED

INCHES	HOLES
.X ± .10	ØX ± .10
.XX ± .020	ØXX ± .015
.XXX ± .015	ØXXX ± .010

ADAM TECH
 909 Railway Avenue, Union, NJ 07083
 Phone: 908-687-5000 Fax: 908-687-5710

APPROVALS	DATE
TW	11/21/13
YC	11/21/13

SIZE	PART NO.	REV.
X	BB8-SP-XX-G-2.40-TR	B

6

5

4

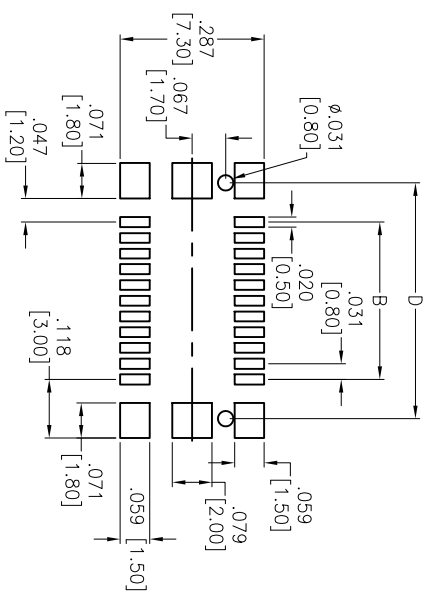
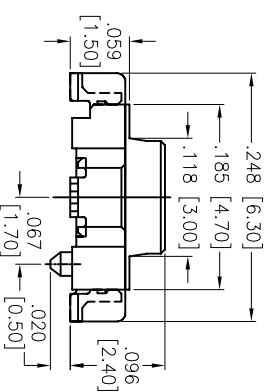
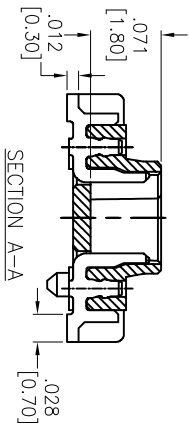
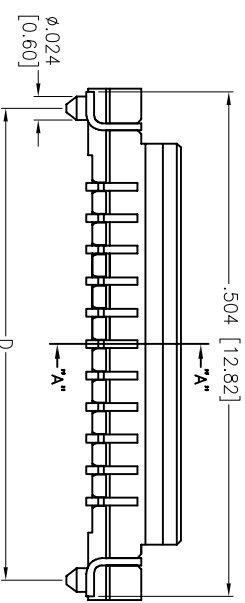
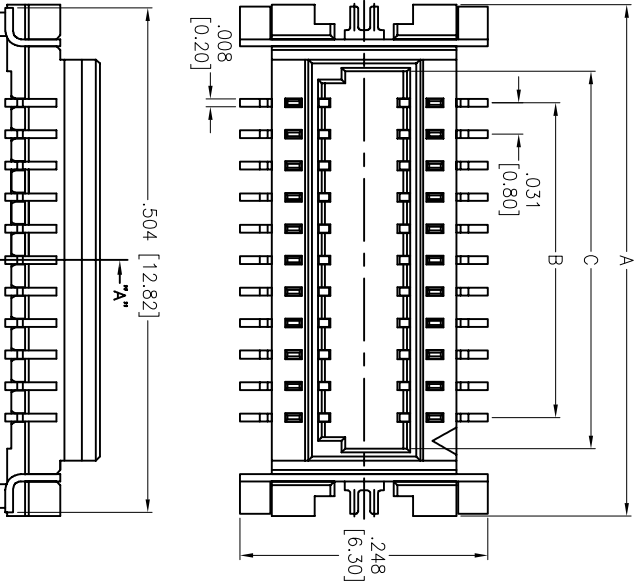
3

2

1

APPROVED: _____
 DATE: _____ TITLE: _____

Rev	AWO #	Description	Date	Appr
-		RELEASED	11/21/13	
A		UPDATED SPECIFICATIONS	1/27/14	SS
B		REVISED SPEC.	7/8/14	AVYC



SPECIFICATIONS:

Material:
 Insulator: Hi-Temp Thermoplastic, rated UL 94V-0
 Insulator color: Natural
 Contacts: Phosphor bronze
 Plating:
 Gold over Nickel underplate overall.
Electrical:
 Operating Voltage: 30V AC/DC Max.
 Current rating: 0.5 Amps max
 Contact resistance: 40 mohms max. initial
 Insulation resistance: 100 Mohms min
 Dielectric withstanding voltage: 500 VAC for 1 minute
Mechanical:
 Durability: 30 Mating Cycles
 Insertion Force: 150gf /contact
 Retention Force: 200g Min /contact
 Temperature Rating:
 Operating temperature: 0°C to +70°C
 Environmental:
 Lead free, RoHS compliant

PACKAGED ON TAPE & REEL
 Positions: 04 thru 100
 A = B + .197 [5.00]
 B = .031 [0.80] x No. of Spaces
 C = B + .063 [1.60]
 D = B + .157 [4.00]

UNLESS OTHERWISE SPECIFIED
 ALL DIMENSIONS ARE INCHES [MM]
 TOLERANCES EXCEPT AS NOTED

INCHES	HOLES
.X ± .10	ØX ± .10
.XX ± .020	ØXX ± .015
.XXX ± .015	ØXXX ± .010

ADAM TECH
 909 Railway Avenue, Union, NJ 07083
 Phone: 908-687-5000 Fax: 908-687-5710

APPROVALS	DATE
TW	11/21/13
YC	11/21/13

SIZE	PART NO.	REV.
X	BB8-SP-XX-G-2.40-TR	B