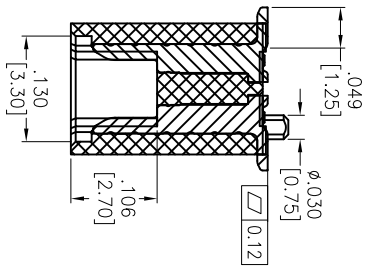
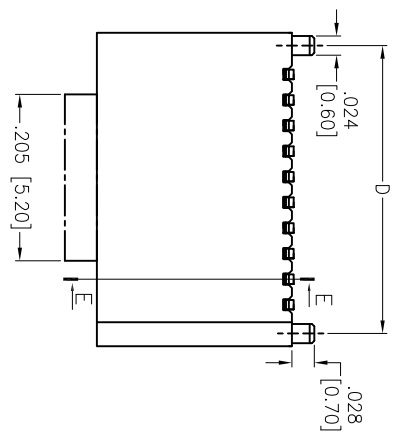
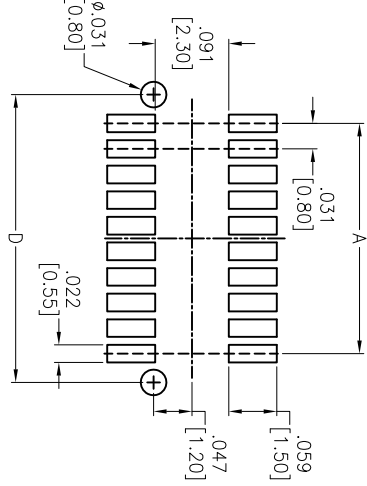


Rev	AWO #	Description	Date	Appr
-		RELEASED	6/27/14	

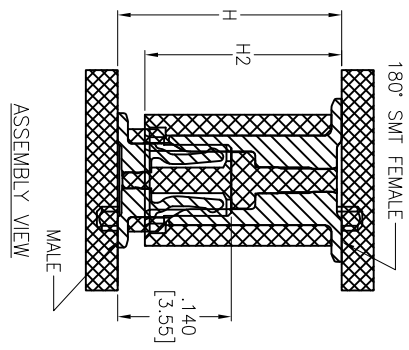
APPROVED: _____
 DATE: _____ TITLE: _____



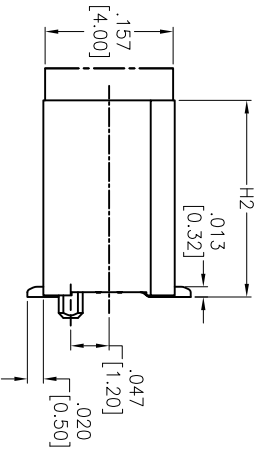
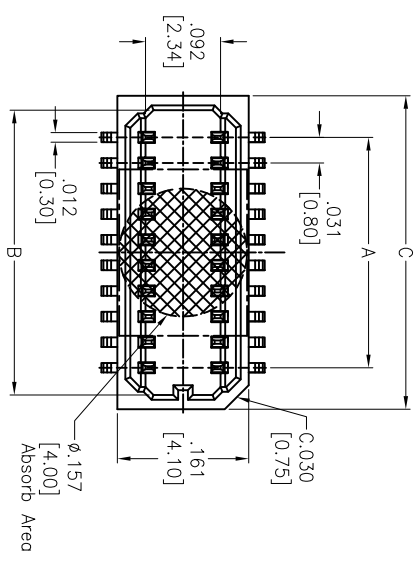
SECTION E-E



RECOMMENDED PCB LAYOUT



ASSEMBLY VIEW



ADAM P/N	FEMALE H2	ASSEMBLY H
BB8-SWA-XX-G-3.65-PP-T/R	.144 [3.65]	.177 [4.50]
BB8-SWA-XX-G-4.15-PP-T/R	.163 [4.15]	.197 [5.00]
BB8-SWA-XX-G-4.70-PP-T/R	.185 [4.70]	.222 [5.65]
BB8-SWA-XX-G-5.15-PP-T/R	.203 [5.15]	.236 [6.00]
BB8-SWA-XX-G-5.65-PP-T/R	.222 [5.65]	.256 [6.50]
BB8-SWA-XX-G-6.15-PP-T/R	.242 [6.15]	.276 [7.00]

PACKAGED ON TAPE & REEL

A = .031 [0.80] x No. of Spoces + .067 [1.70]
 B = .031 [0.80] x No. of Spoces + .102 [2.60]
 C = .031 [0.80] x No. of Spoces + .102 [2.60]
 D = .031 [0.80] x No. of Spoces + .071 [1.80]

SPECIFICATIONS:
 Material: Insulator: Hi-Temp thermoplastic, rated UL 94V-0
 Insulator color: Black
 Contacts: Phosphor Bronze
 Plating: Gold flash over Nickel underplate overall
 Electrical: Current rating: 0.5 Amps max.
 Contact resistance: 50 mohms max. initial
 Insulation resistance: 100 Mohms min
 Dielectric withstanding voltage: 500 VAC for 1 minute
 Temperature Rating: Operating temperature: -20°C to +105°C
 Environmental: Lead free, RoHS compliant

ADAM TECH

909 Railway Avenue, Union, NJ 07083
 Phone: 908-687-5000 Fax: 908-687-5710

TITLE: .031 [0.80] PITCH BOARD TO BOARD
 SOCKET CONNECTOR, SMT TYPE

UNLESS OTHERWISE SPECIFIED ALL DIMENSIONS ARE INCHES [MM] TOLERANCES EXCEPT AS NOTED		DRAWN HR 6/27/14		SIZE PART NO. BB8-SWA-XX-G-X-XX-PP-T/R	
INCHES .X ± .10 .XX ± .020 .XXX ± .015 .XXX ± .010		Holes ØX ± .10 ØXX ± .015 ØXXX ± .010		DATE	
APPROVALS		DATE		REV.	
CHECKED SY	6/27/14	REF: S00019C	SCALE: NTS	SHEET 1 OF 1	

